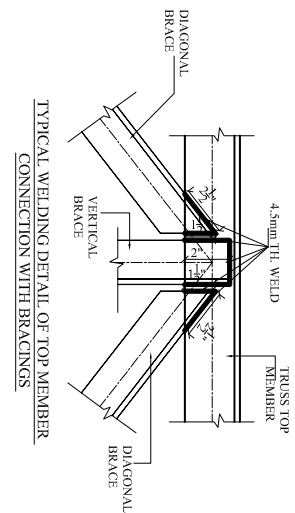
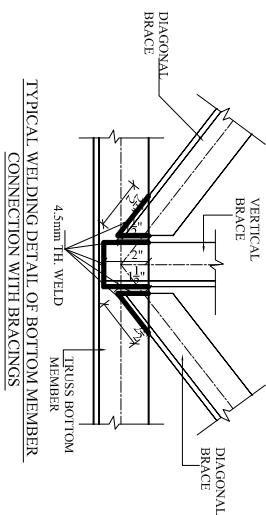


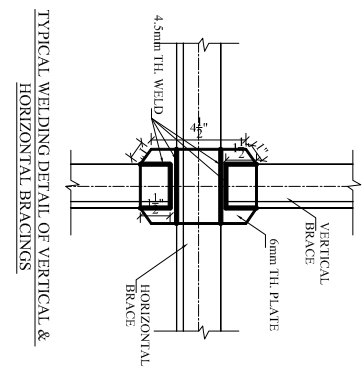
**PROPOSED GANTRY DESIGN  
FOR SPANS 80'-0" TO 100'-0"**



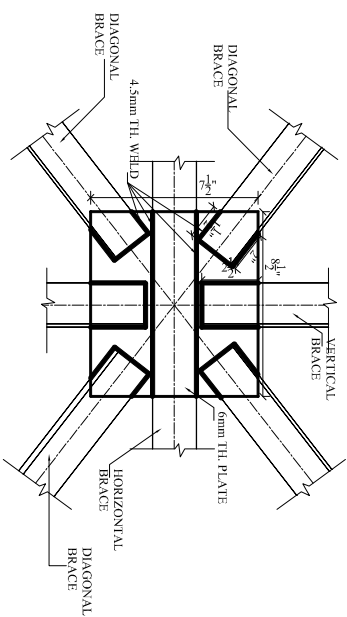
TYPICAL WELDING DETAIL OF TOP MEMBER CONNECTION WITH BRACINGS



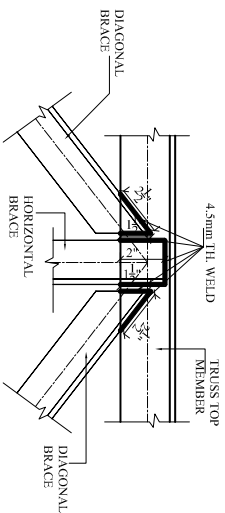
TYPICAL WELDING DETAIL OF BOTTOM MEMBER CONNECTION WITH BRACINGS



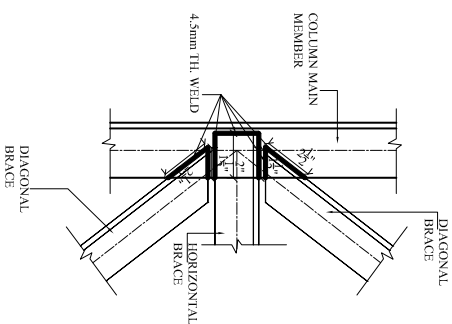
TYPICAL WELDING DETAIL OF VERTICAL & HORIZONTAL BRACINGS



TYPICAL WELDING DETAIL OF VERTICAL, HORIZONTAL & DIAGONAL BRACINGS



TYPICAL WELDING DETAIL OF TOP MEMBER CONNECTION WITH BRACINGS (TOP & BOTTOM VIEW)



TYPICAL WELDING DETAIL OF COLUMN MAIN MEMBER- CONNECTION WITH BRACINGS

**REFERENCE/REVISIONS**

| NO. | REVISION/ISSUE | DATE |
|-----|----------------|------|
|     |                |      |
|     |                |      |
|     |                |      |

**TITLE :- DETAIL OF JOINTS AND CONNECTIONS  
SPAN: 80'-0" TO 100'-0"**

|                             |             |
|-----------------------------|-------------|
| DRG. NO. : SLDG1X80X100/004 | SCALE: NTS  |
| DATE: 31-08-15              | DEALT BY: : |
| S.NO. :                     |             |
| CONSULTANT                  | OWNER       |

**PROJECT CONSULTANT**

