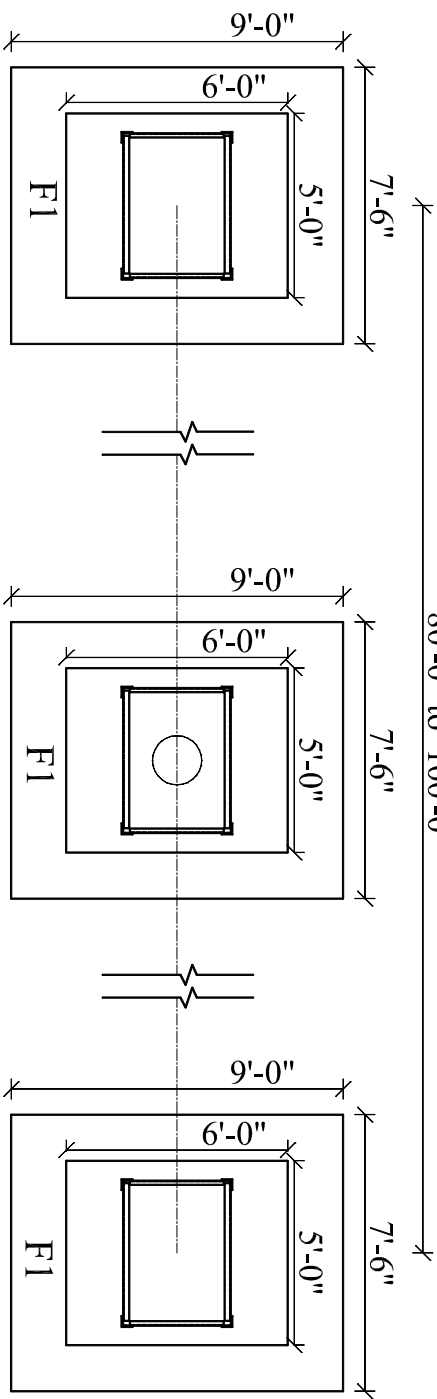
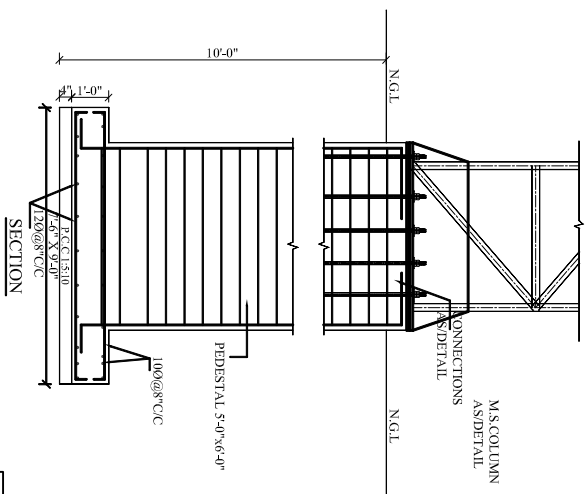


80'-0" to 100'-0"

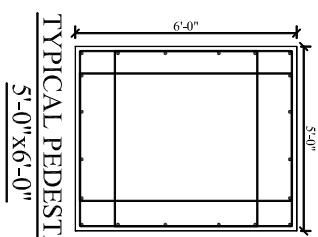


FOUNDATION PLAN



FOUNDATION FOR GANTRY COLUMN FL

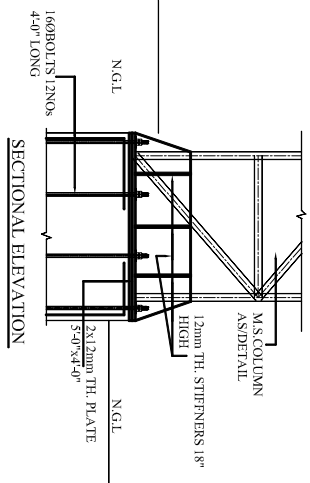
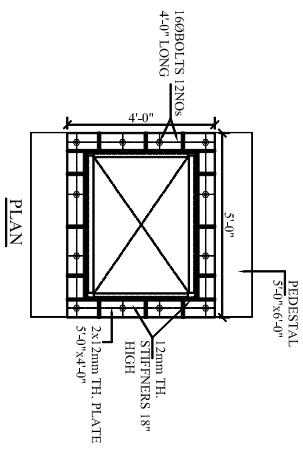
NOTE: USE M25 CONCRETE & F500 REINFORCEMENT STEEL



TYPICAL PEDESTAL  
5'-0" x 6'-0"

PROVIDE:  
20 NOS 16mm Ø  
RINGS: 80@6"C/C

- GENERAL NOTES:-
1. ALL DIMENSIONS ARE IN FEET-INCHES UNLESS OTHERWISE SPECIFIED
  2. ALL R.C.C SHALL BE IN PZD CONCRETE
  3. ALL REINFORCEMENT SHALL BE F500 AS PER IS1786(ATEST)
  4. COVER TO REINFORCEMENT SHALL BE AS FOLLOWS
- a. FOUNDATIONS 50mm  
b. COLUMNS - 40mm



COLUMN BASE DETAIL  
DETAIL AT 3

PROPOSED GANTRY DESIGN  
FOR SPANS 80'-0" TO 100'-0"

REFERENCE/REVISIONS

NO.	REVISION/ISSUE	DATE

TITLE :- DETAIL OF FOUNDATION  
AND COLUMN BASE  
SPAN: 80'-0" TO 100'-0"

DRG. NO. : SLDGX80X100/002	SCALE: NTS
DATE: -31/08/15	DEALT BY:
SNO.:	OWNER
CONSULTANT	

PROJECT CONSULTANT

150, Shamshad, Khamti Nagar Road, Jalandhar City, PUNJAB  
Ph: 018389001051 Email: [enquiry@structlogix.com](mailto:enquiry@structlogix.com)