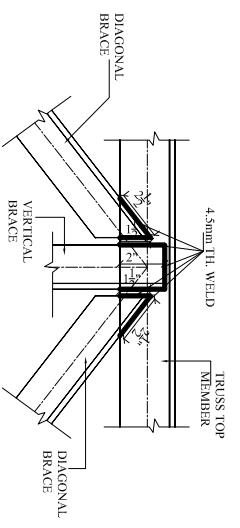
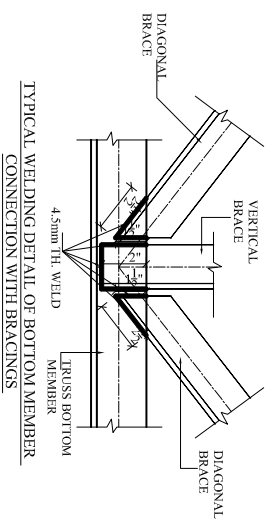


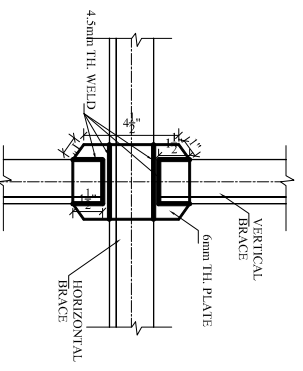
**PROPOSED GANTRY DESIGN  
FOR SPANS 121'-0" TO 150'-0"**



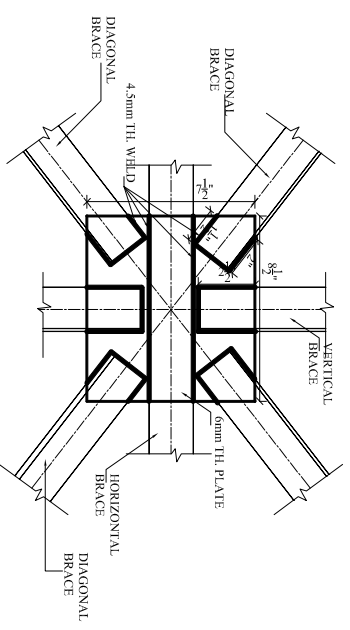
TYPICAL WELDING DETAIL OF TOP MEMBER CONNECTION WITH BRACINGS



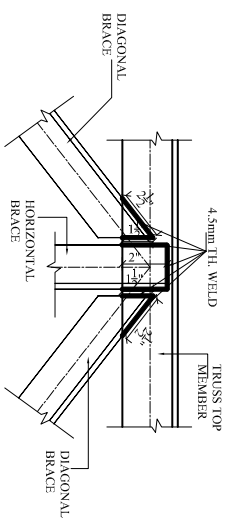
TYPICAL WELDING DETAIL OF BOTTOM MEMBER CONNECTION WITH BRACINGS



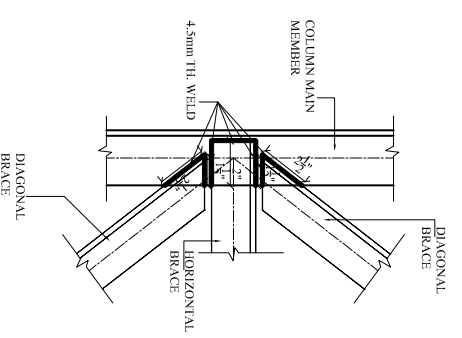
TYPICAL WELDING DETAIL OF VERTICAL & HORIZONTAL BRACINGS



TYPICAL WELDING DETAIL OF VERTICAL, HORIZONTAL & DIAGONAL BRACINGS



TYPICAL WELDING DETAIL OF TOP MEMBER CONNECTION WITH BRACINGS (TOP & BOTTOM VIEW)



TYPICAL WELDING DETAIL OF COLUMN MAIN MEMBER- CONNECTION WITH BRACINGS

**REFERENCE/REVISIONS**

NO.	REVISION/ISSUE	DATE

**TITLE :- DETAIL OF JOINTS AND CONNECTIONS  
SPAN: 121'-0" TO 150'-0"**

DRG. NO. : SLOGIX/21X150/004	SCALE: NTS
DATE: -31/08-15	DEALT BY: .
SNO. :	
CONSULTANT	OWNER

**PROJECT CONSULTANT**

150, Shaligram, Kumbh Nagar Road, Jalandhar City, PUNJAB  
Ph: 018389001051 Email: [shubhdeep@shubhdeep.com](mailto:shubhdeep@shubhdeep.com)