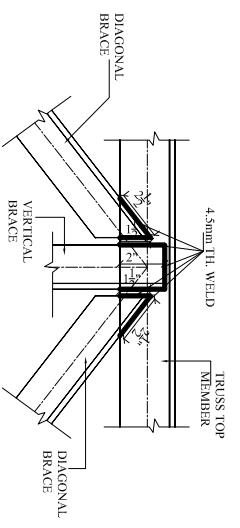
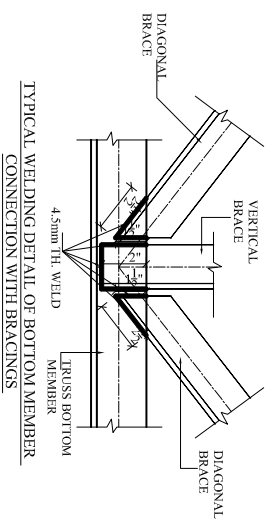


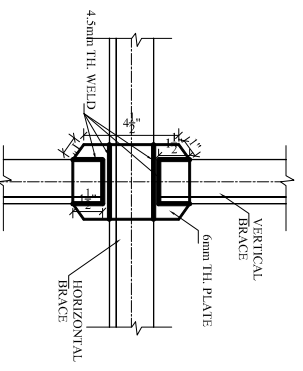
**PROPOSED GANTRY DESIGN
FOR SPANS 101'-0" TO 120'-0"**



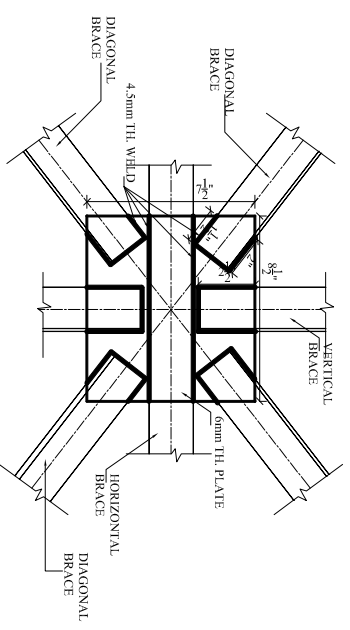
TYPICAL WELDING DETAIL OF TOP MEMBER CONNECTION WITH BRACINGS



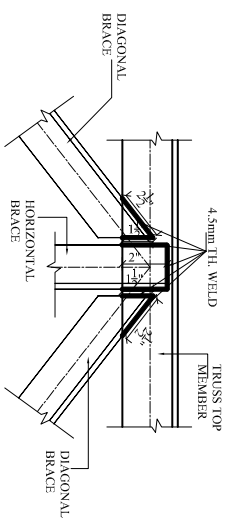
TYPICAL WELDING DETAIL OF BOTTOM MEMBER CONNECTION WITH BRACINGS



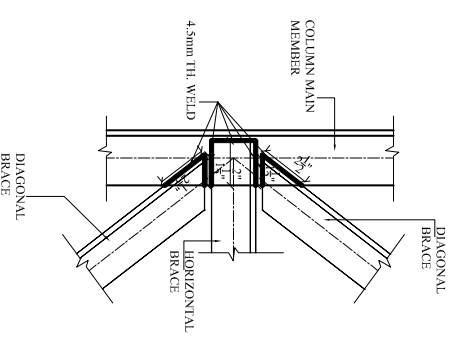
TYPICAL WELDING DETAIL OF VERTICAL & HORIZONTAL BRACINGS



TYPICAL WELDING DETAIL OF VERTICAL, HORIZONTAL & DIAGONAL BRACINGS



TYPICAL WELDING DETAIL OF TOP MEMBER CONNECTION WITH BRACINGS (TOP & BOTTOM VIEW)



TYPICAL WELDING DETAIL OF COLUMN MAIN MEMBER- CONNECTION WITH BRACINGS

REFERENCE/REVISIONS

NO.	REVISION/ISSUE	DATE

**TITLE :- DETAIL OF JOINTS AND CONNECTIONS
SPAN: 101'-0" TO 120'-0"**

DRG. NO. : SLOGIX/01/X120/004	SCALE: NTS
DATE: -31/08-15	DEALT BY:
SNO. :	OWNER
CONSULTANT	

PROJECT CONSULTANT



150, Shaligram, Kumbh Nagar Road, Jalandhar City, PUNJAB
Ph: 018389001051 Email: shubhdeep@shubhdeep.com