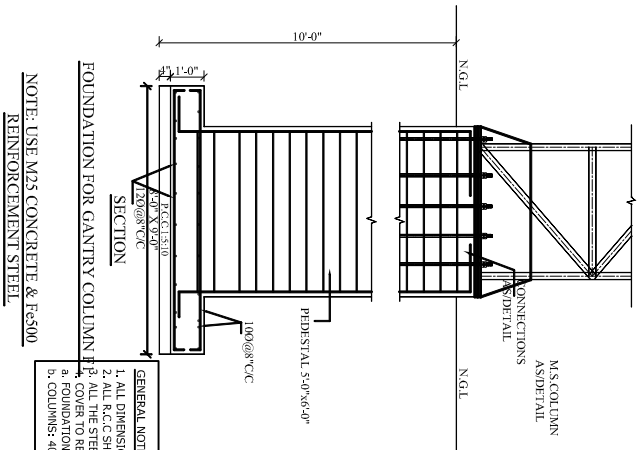
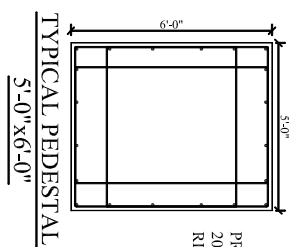


FOUNDATION PLAN

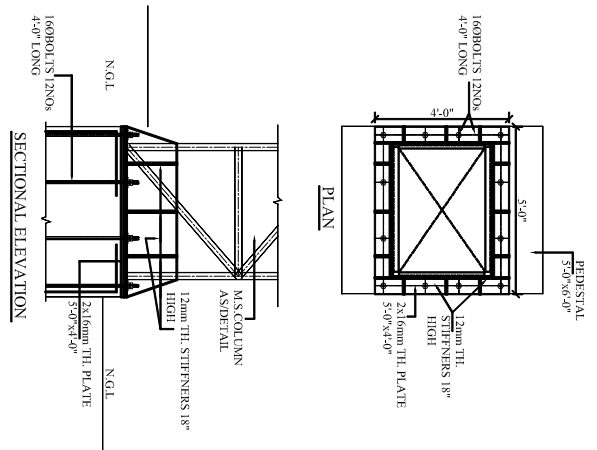


NOTE: USE M25 CONCRETE & F6500 REINFORCEMENT STEEL

- GENERAL NOTES:-
1. ALL DIMENSIONS ARE IN FEET-INCHES UNLESS OTHERWISE SPECIFIED
 2. ALL R.C.C SHALL BE IN M20 CONCRETE
 3. ALL THE STEEL REINFORCEMENT SHALL BE F6500 AS PER IS:1786(LATEST)
 4. FOUNDATIONS SHALL BE AS FOLLOWS
- a. COLUMNS - 4mm



PROVIDE:
20 NOS. 16mm Ø
RINGS : 80 @ 6" C/C



COLUMN BASE DETAIL
DETAIL AT 3

PROPOSED GANTRY DESIGN
FOR SPANS 101'-0" TO 120'-0"

REFERENCE/REVISIONS

NO.	REVISION/ISSUE	DATE

TITLE :- DETAIL OF FOUNDATION
AND COLUMN BASE
SPAN: 101'-0" TO 120'-0"

DRG. NO. : SLDG/101X120/002	SCALE: NTS
DATE: 31-08-15	DEALT BY: :
S.NO. :	OWNER
CONSULTANT	

PROJECT CONSULTANT

