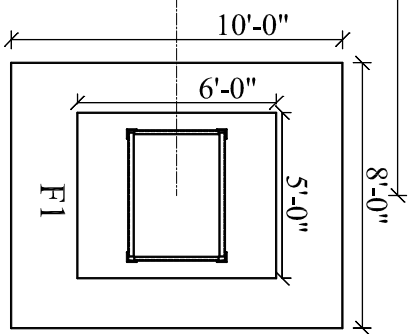
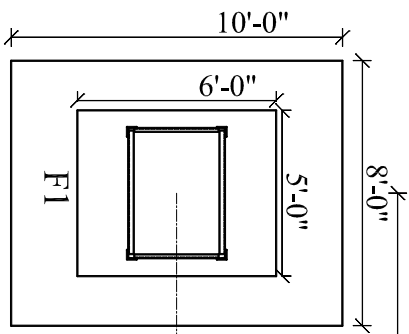
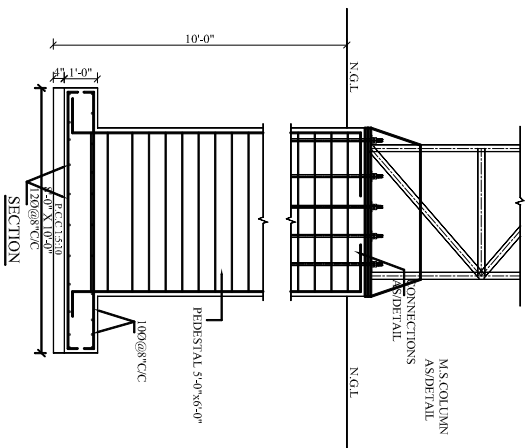


101'-0" to 120'-0"

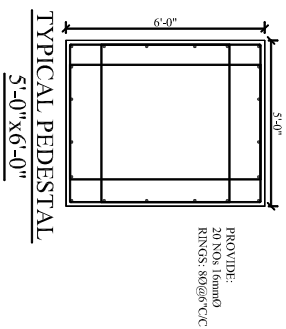


FOUNDATION PLAN

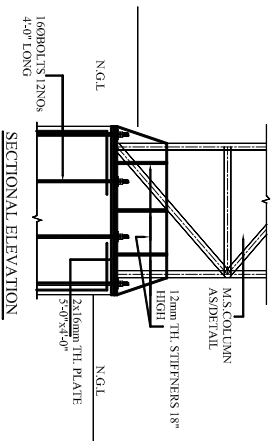
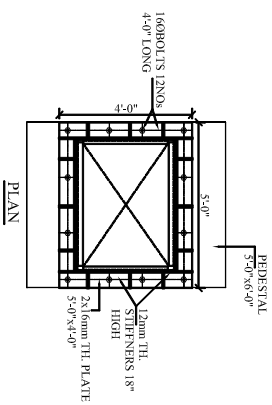


NOTE: USE M25 CONCRETE & F6500 REINFORCEMENT STEEL.

FOUNDATION FOR GANTRY COLUMN F1



- GENERAL NOTES:-
1. ALL DIMENSIONS ARE IN FEET-INCHES UNLESS OTHERWISE SPECIFIED
  2. ALL R.C.C SHALL BE IN M20 CONCRETE
  3. ALL R.C.C REINFORCEMENT SHALL BE F6500 AS PER IS:1786(LATEST)
  4. ALL REINFORCEMENT SHALL BE AS FOLLOWS
    - a. FOUNDATIONS 50mm
    - b. COLUMNS: 40mm



COLUMN BASE DETAIL  
DETAIL AT 3

PROPOSED GANTRY DESIGN  
FOR SPANS 101'-0" TO 120'-0"

REFERENCE/REVISIONS

NO.	REVISION/ISSUE	DATE

TITLE :- DETAIL OF FOUNDATION  
AND COLUMN BASE  
SPAN: 101'-0" TO 120'-0"

DRG. NO. : SLDGIX/101X120X2M02	SCALE: NTS
DATE: 31.08.15	DEALT BY: :
S.NO. :	OWNER
CONSULTANT	

PROJECT CONSULTANT

156, Shilpgram, Bafli Nagar Road, Landmark City, MUMBAI  
Ph: 02258800101 Email: [cs@shochlogix.com](mailto:cs@shochlogix.com)