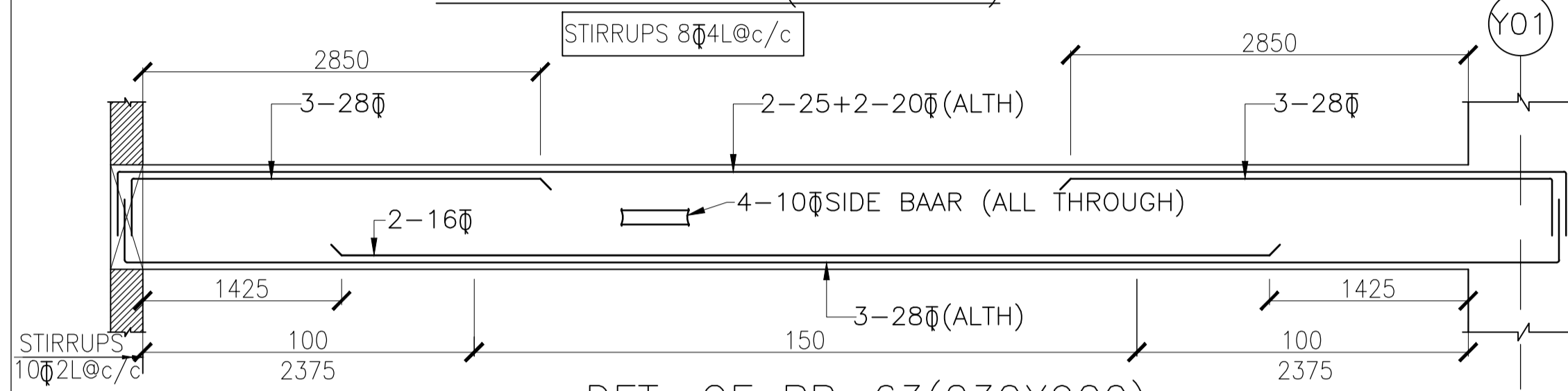


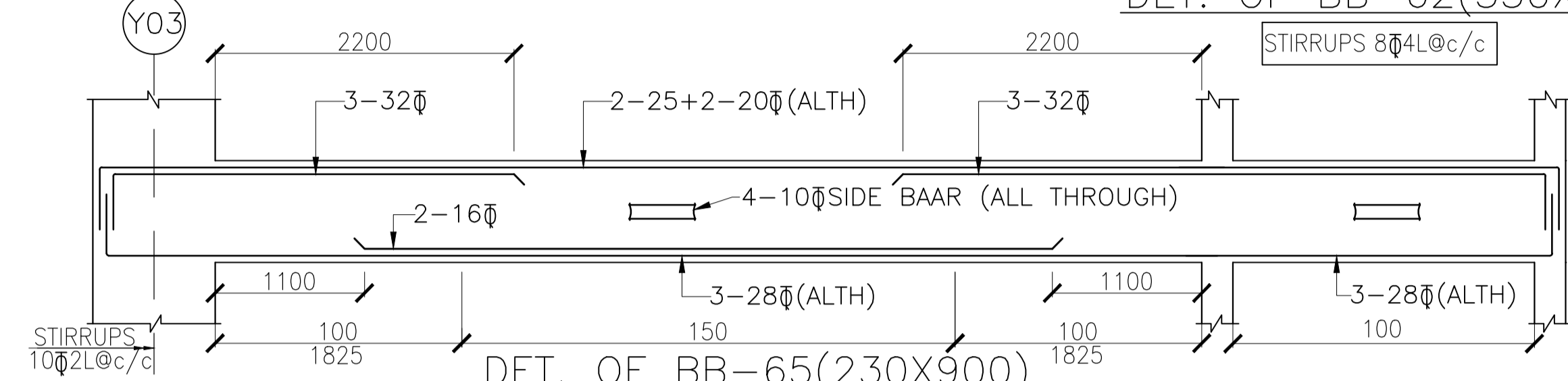
DET. OF BB-62(350X750)

DET. OF BB-62(350X750)



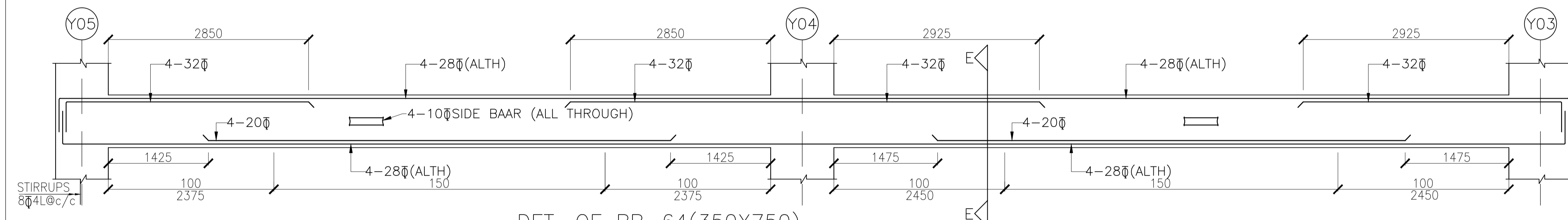
DET. OF BB-63(230X900)
RESTING ON RCC WALL

STIRRUPS 10φ2L@c/c



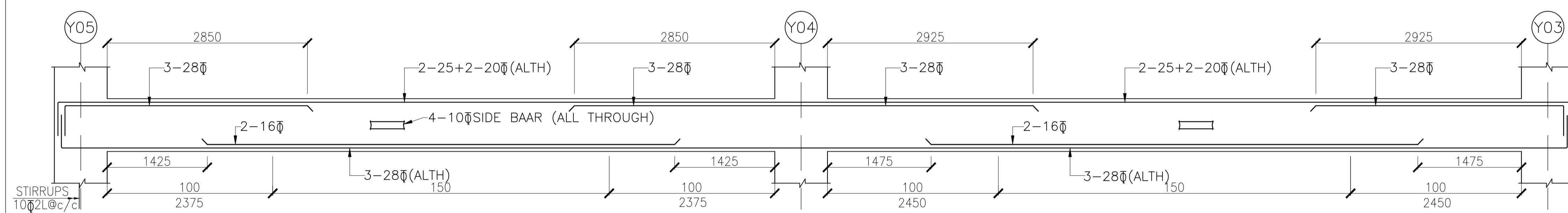
DET. OF BB-65(230X900)
RESTING ON RCC WALL

STIRRUPS 10φ2L@c/c



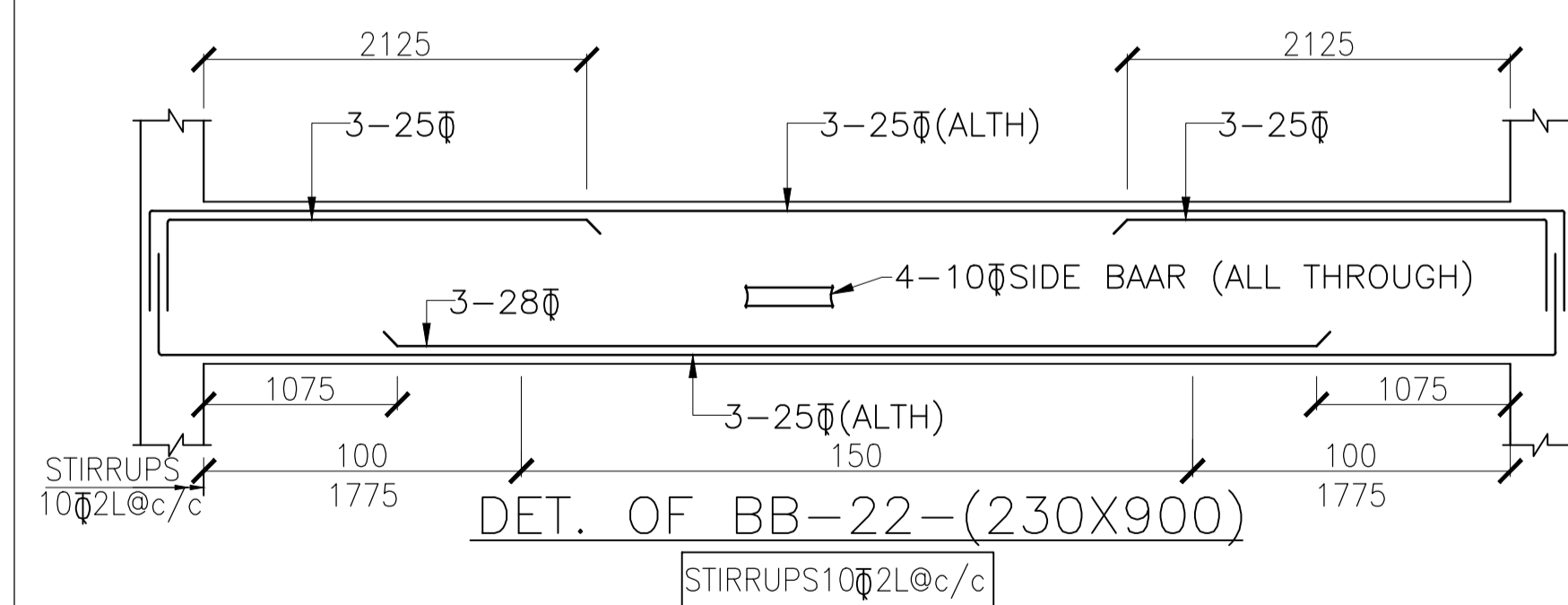
DET. OF BB-64(350X750)

STIRRUPS 8φ4L@c/c



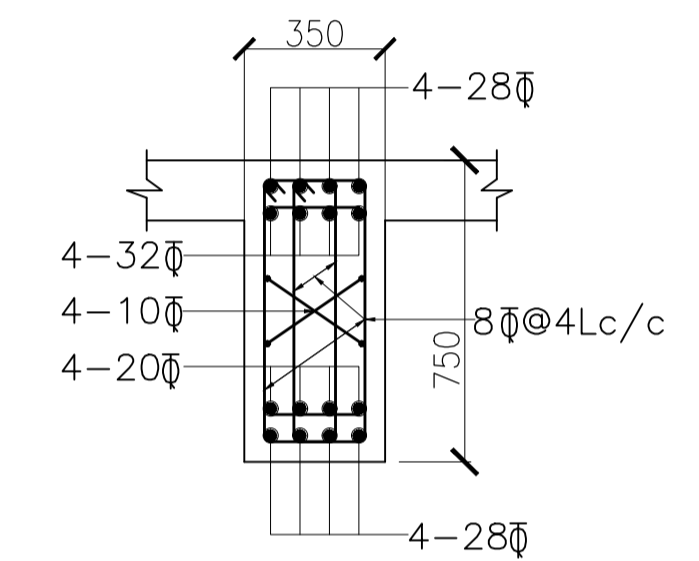
DET. OF BB-66(230X900)
RESTING ON RCC WALL

STIRRUPS 10φ2L@c/c



DET. OF BB-22-(230X900)

STIRRUPS 10φ2L@c/c



SECTION-EE

- NOTES:**
- 1 READ THIS DRG IN CONJUNCTION WITH ALL OTHER RELEVANT ARCH/STRCL DRGS
 - 2 ALL DIMENSION ARE IN MM AND LEVELS ARE IN METERS.
 - 3 USE CONC MIX FOR R.C.C WORK SHALL BE (M25) UNLESS NOTED OTHERWISE CONFORMING TO IS:456-2000
 - 4 REINF. SHALL BE HYSD BARS CONFORMING TO GRADE Fe500 OF IS:1786-1985 (CLAR STRENGTH OF 500 N/mm²)
 - 5 ALL FOOTINGS ARE CENTRALLY PLACED ABOUT CENTRE LINE OF PEDESTAL.U.N.O
 - 6 CLEAR COVER TO MAIN REINF.(EXCLUSIVE OF PLASTER) SHALL BE FOLLOWS:-
 a1-ISOLATED FOOTING-MINIMUM 50mm AT BOTTOM & SIDES.
 a2-RAFT FOOTING- MINIMUM 40mm AT BOTTOM & 25mm AT SIDES.FOR BEAMS
 b-FLOORS-ROOFS
 MINIMUM 25mm AT BOTTOM & SIDES.FOR SLABS
 25mm FOR BEAMS
 20mm FOR SLABS
 c-STAIRCASE
 20mm
 d-COLUMNS
 40mm OR DIA OF LONGITUDINAL BAR WHICH EVER IS MORE
 - 7 IF SITE ENGINEER IS NOT SATISFIED WITH BEARING STRATA OF FOOTING AT THE INDICATED DEPTH THAN
 a-A MAX.OF 0.5m OF DEPTH SHALL BE EXCAVATED FURTHER DEEP SO AS TO GET A GOOD BEARING SOIL & THIS ADDITIONAL DEPTH SHALL BE FILLED UP WITH CONC. OF 1:6:12 MIX
 b-IF ADDITIONAL EXCAVATION ALSO DOES NOT REACH A GOOD BEARING STRATA THEN THE MATTER SHOULD BE REFERRED TO THE ARCH/CONSULTING ENGG.
 - 8 ANY DISCREPANCY IN REGARD TO THE ABOVE NOTES SHALL BE POINTED OUT TO THE ARCHITECTS/CONSULTING ENGINEERS
 - 9 DO NOT SCALE THE DRAWING,FOLLOW WRITTEN DIMENSIONS ONLY
 - 10 NECESSARY FIXURES FOR ELECTRECAL/PLUMBING PIPES ETC.SHALL BE PROVIDED IN SLABS/BEAMS BEFORE CASTING AS PER RELEVANT ELECTRECAL/PLUMBING DRGS.
 - 11 SAFE BEARING CAPACITY OF PILE IS TAKEN AS 8.5 T/m AT A DEPTH OF 2.0M BELOW NATURAL GROUND LEVEL(AS PROVIDED BY CLIENT)
 - 12 CENTRE LINES OF COLUMN & FOOTINGS SHOULD MATCH UNLESS OTHERWISE SHOWN
- ALSO REFER GENERAL NOTES AS PER DWG RCC-STD-00-001

01. This drawing is the property of M/s AMALGAMX CONSULTING PVT. LTD. who reserve all copyrights. 02. Only blue print shall be considered for construction.	PRINT DATA		ARCHITECTS C-10, SECTOR-3, NOIDA TEL: 012-4601000, FAX: 0120-4601010 E-MAIL: dfaconsultants@gmail.com	ENGINEERS		AMALGAMX CONSULTING PVT. LTD. M-144, Annexe, GKII, New Delhi	DRAWING NO: - S-00-010/7		
	NO	COPIES		DATE	SCALE:			DRN:	PROJECT:
	01	00		25-06-2011	DATE: 25-06-2011			DRN:	M/S OSWAL WOOLLEN MILLS LTD. ON G.T. ROAD SHERPUR, LUDHIANA
								CHD	TITLE: IST BASEMENT FLOOR PLAN.