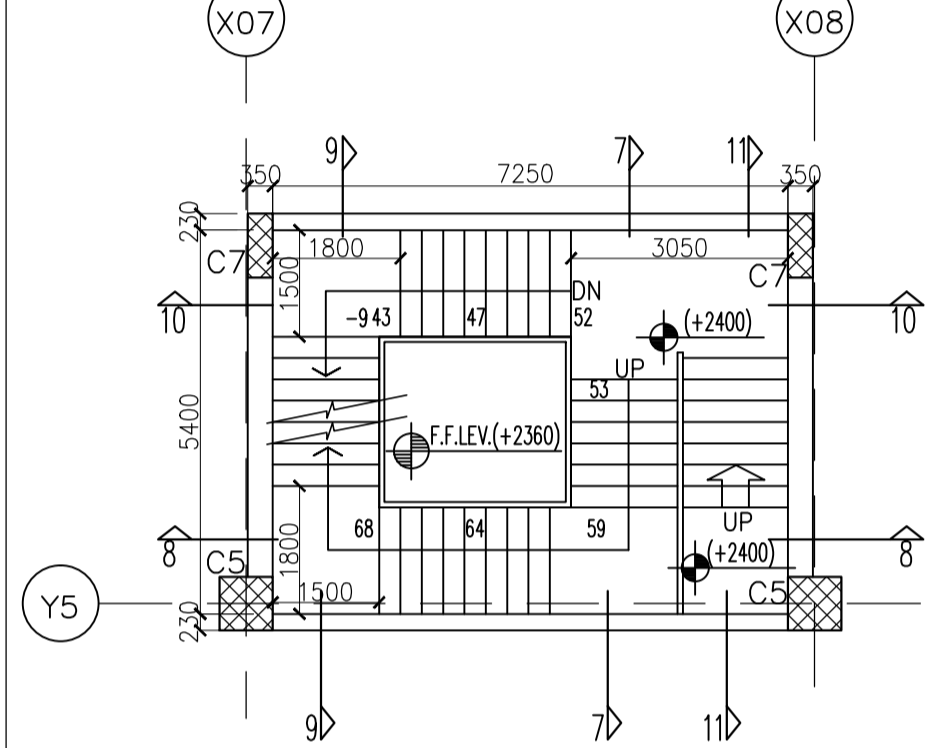
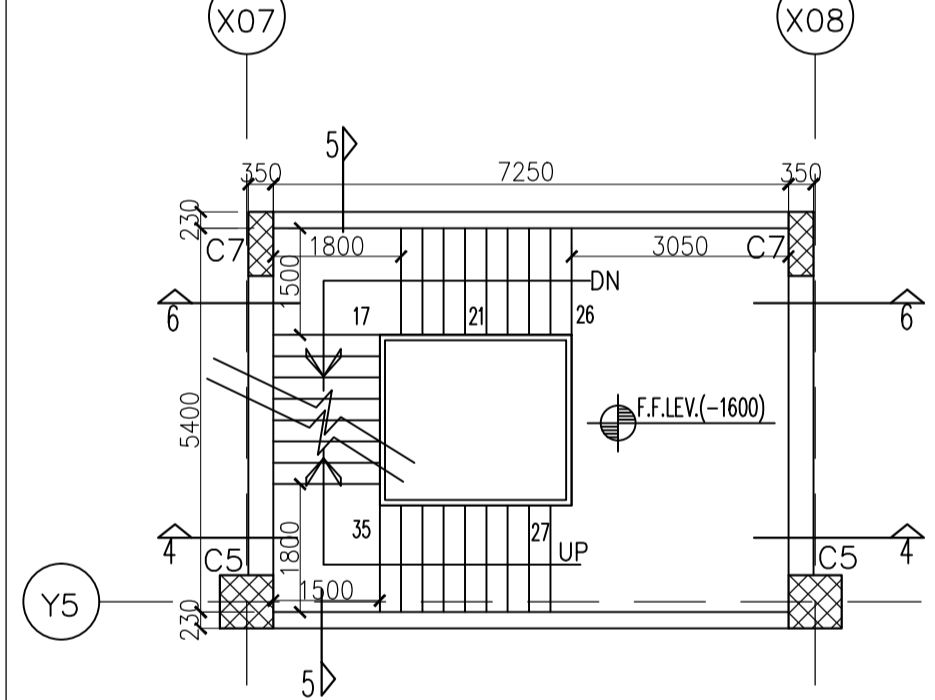


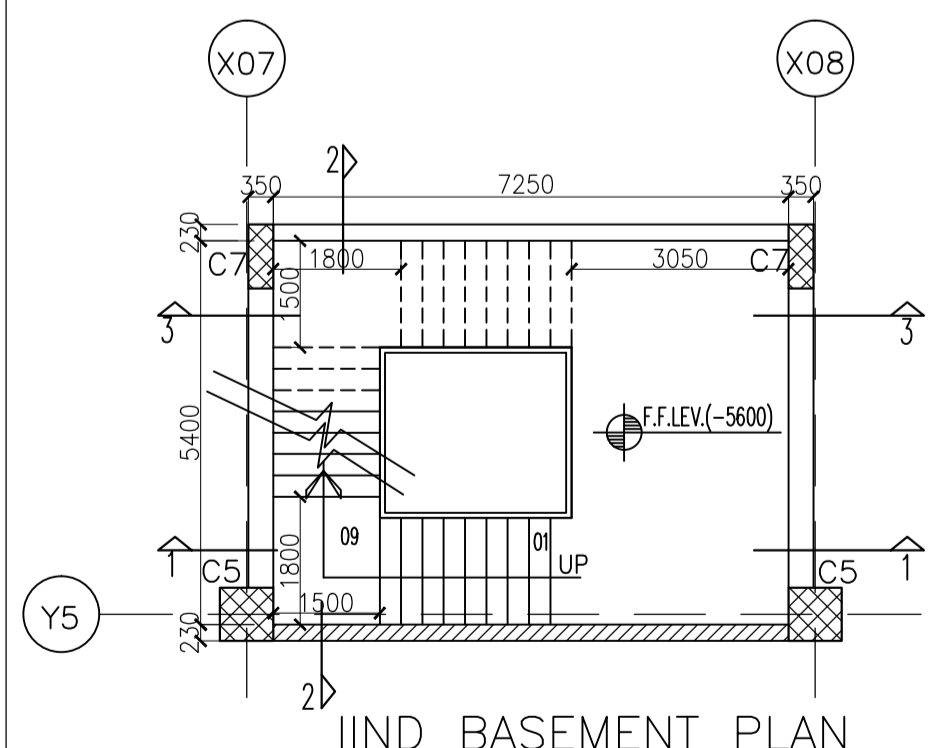
FIRST FLOOR PLAN



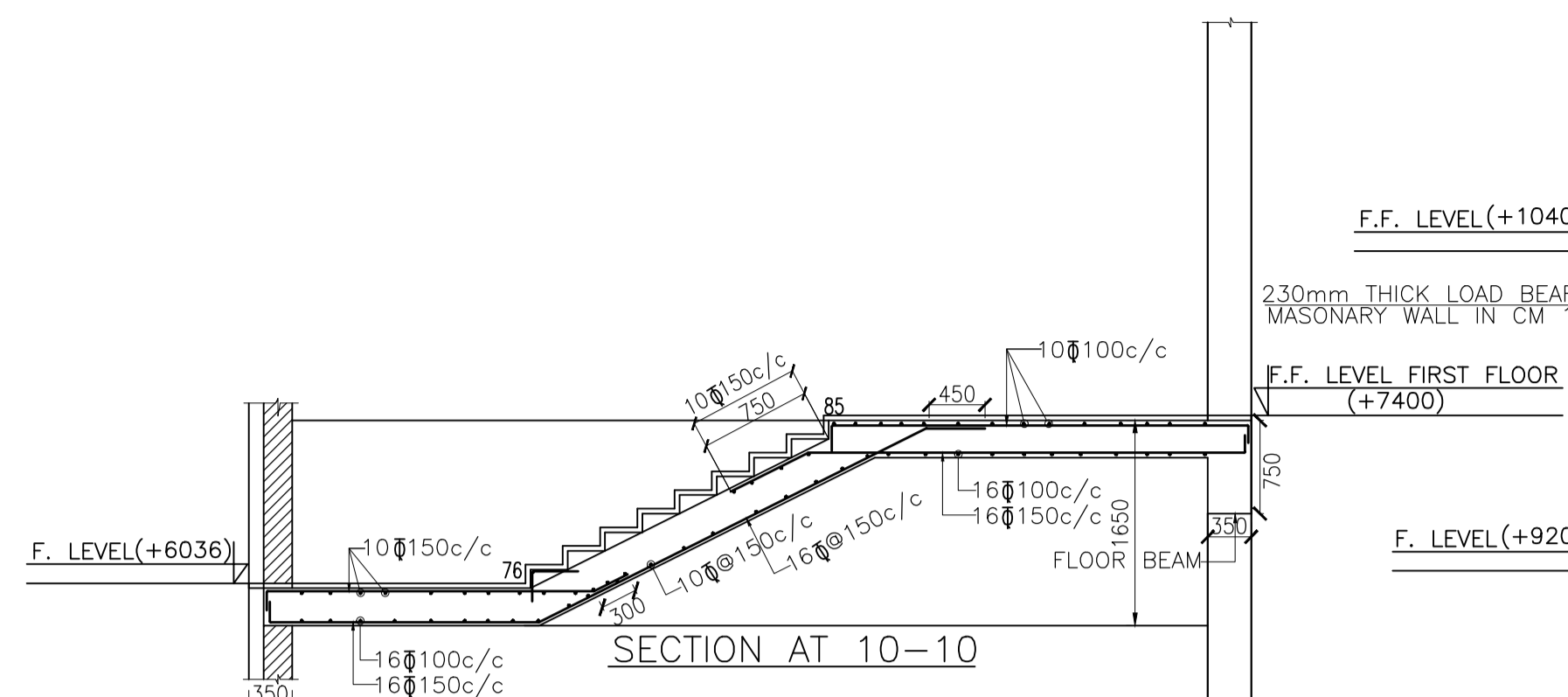
GROUND PLAN



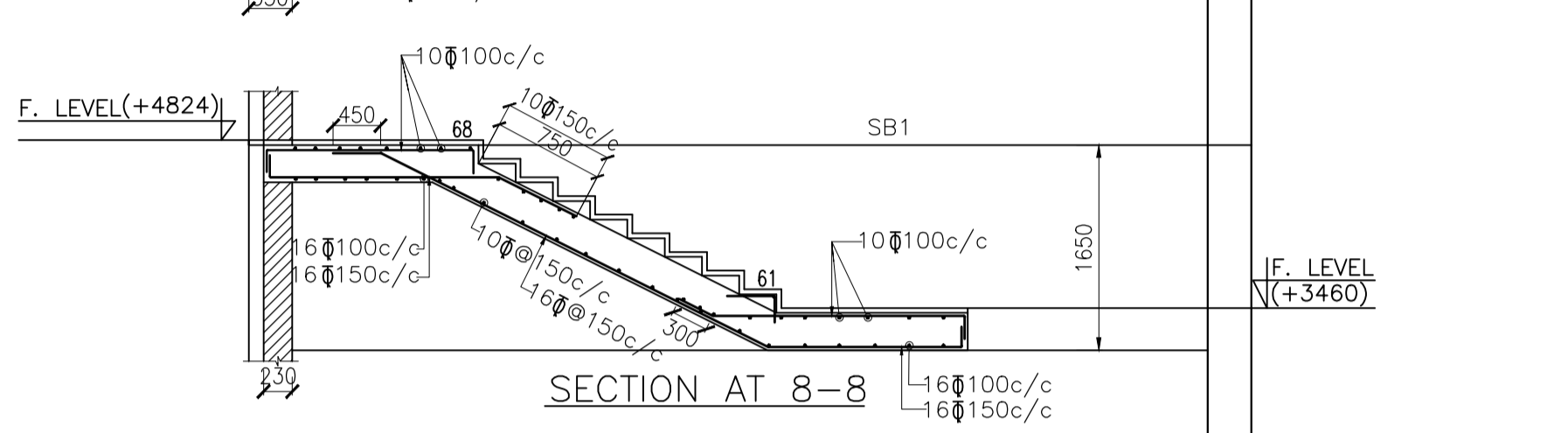
1ST BASEMENT PLAN



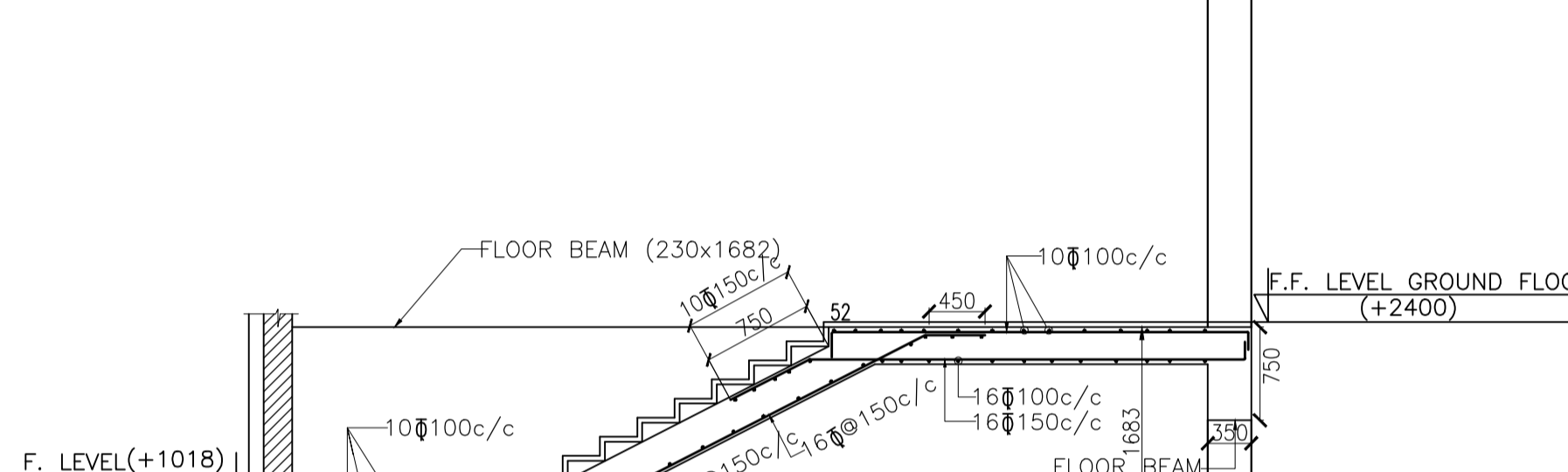
IIND BASEMENT PLAN



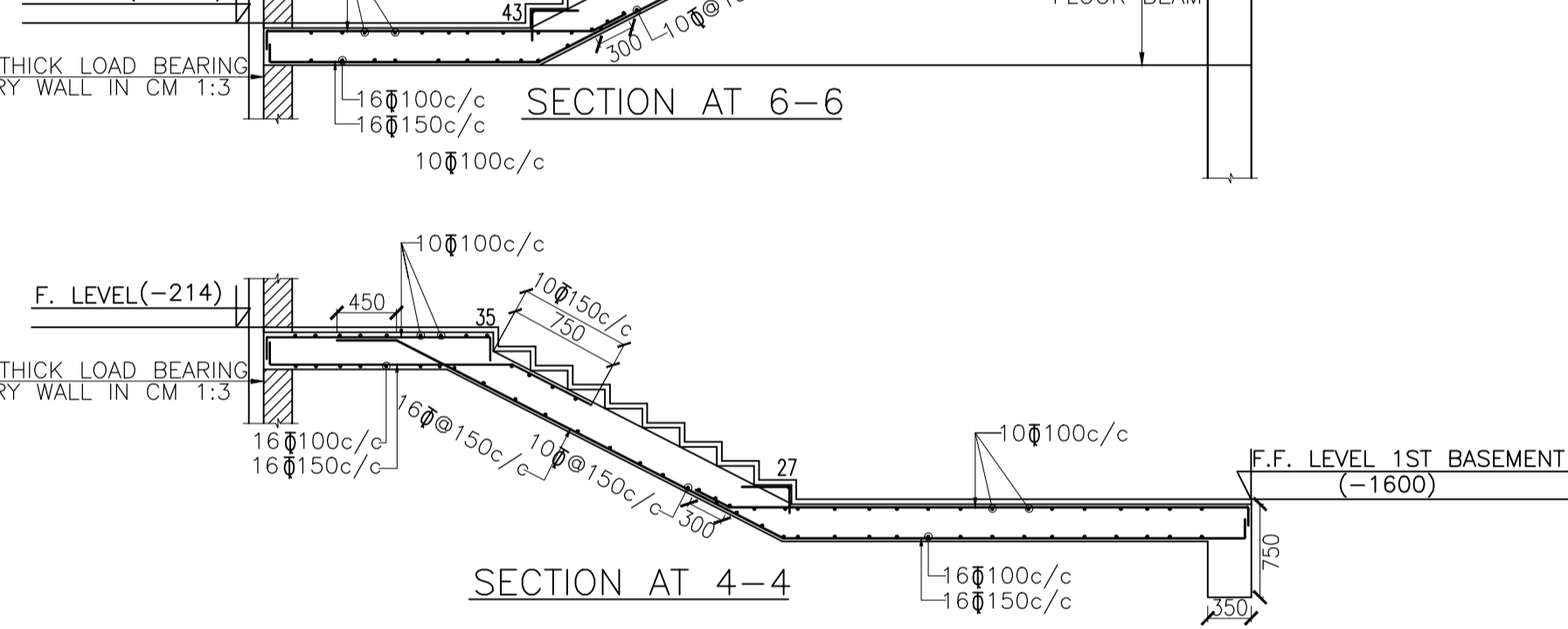
SECTION AT 10-10



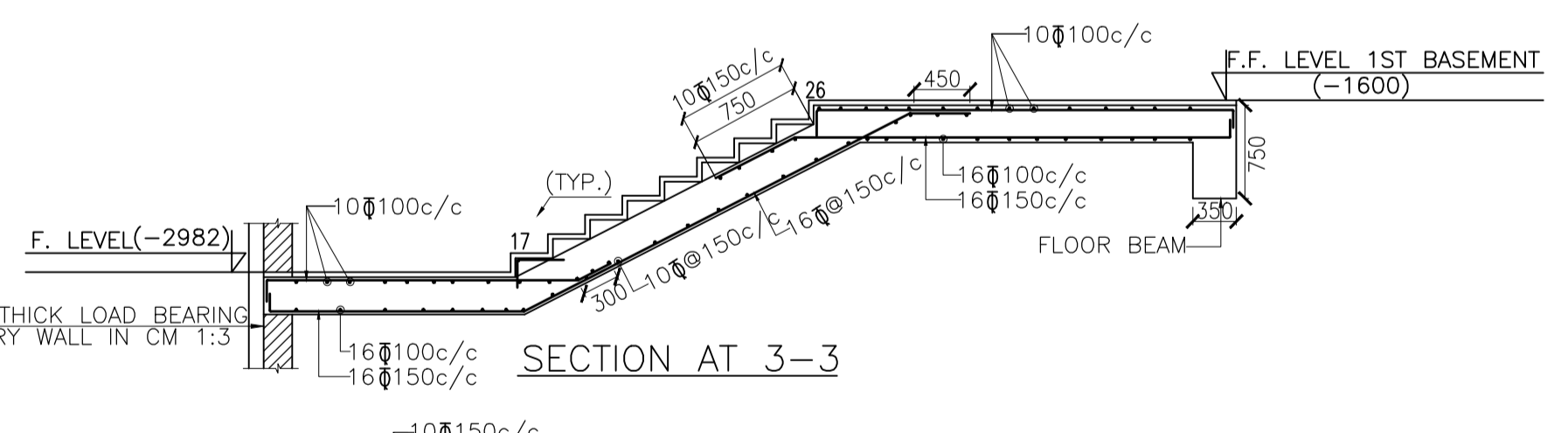
SECTION AT 8-8



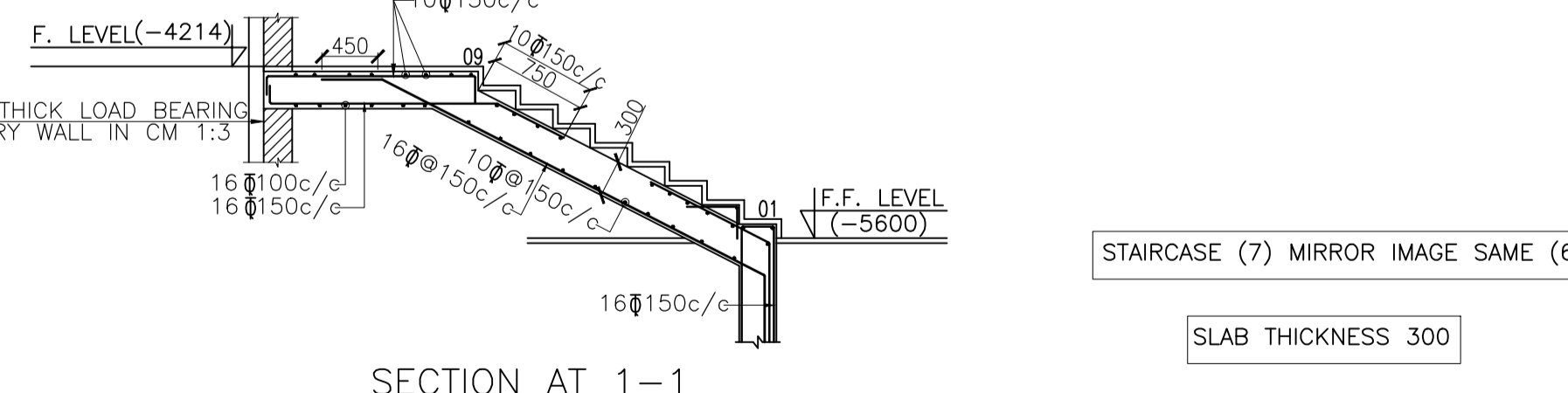
SECTION AT 6-6



SECTION AT 4-4



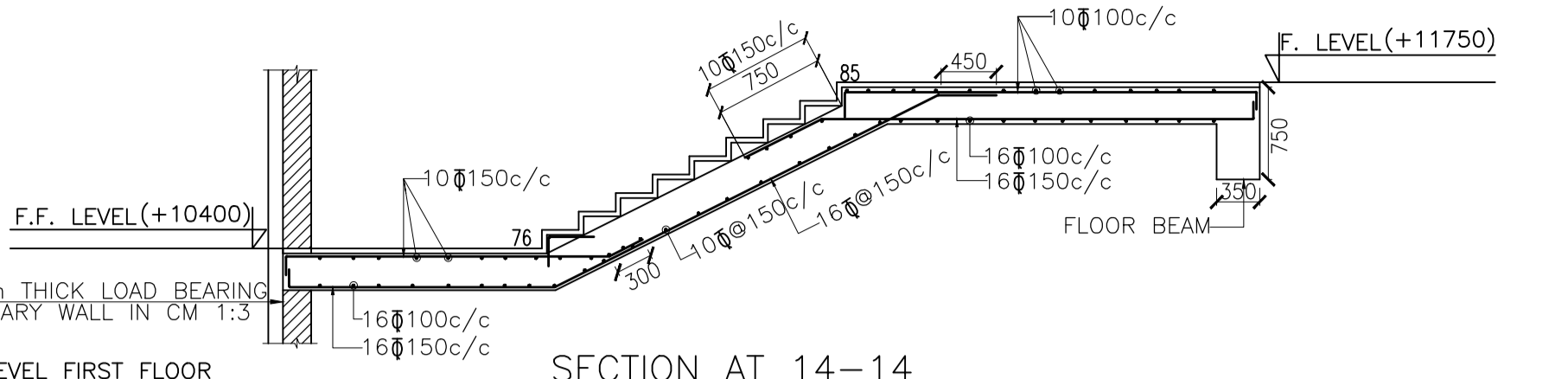
SECTION AT 3-3



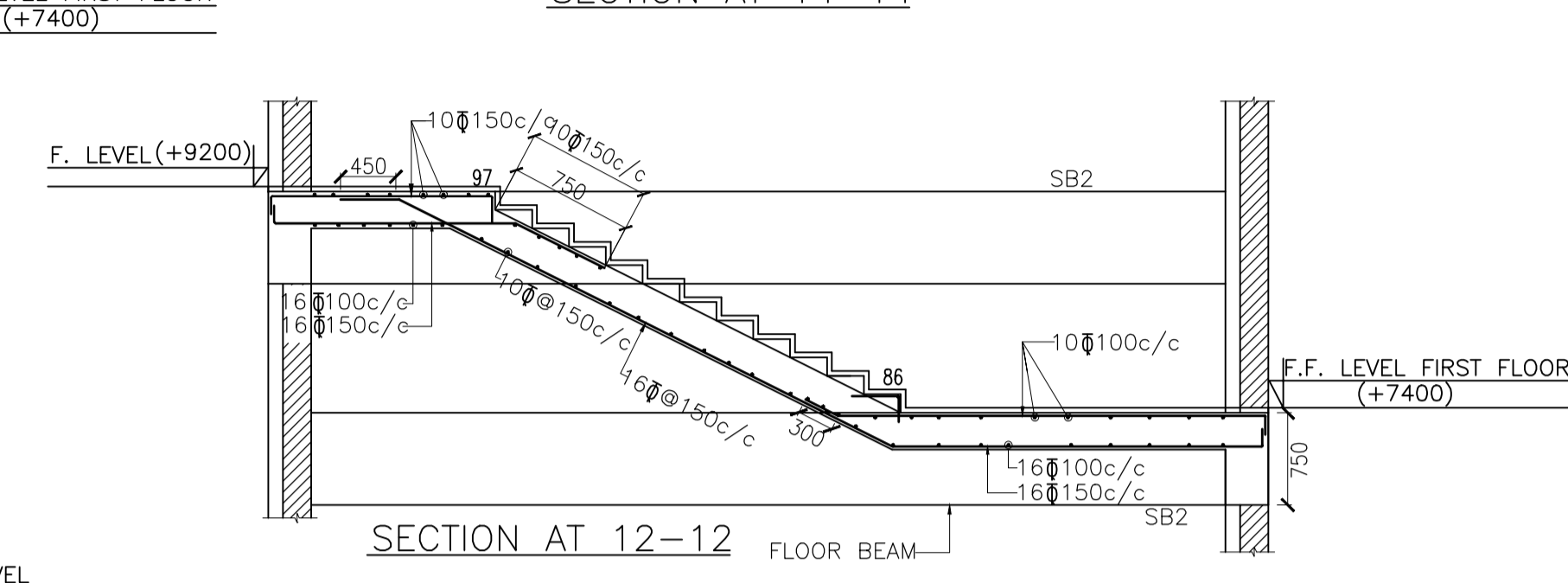
SECTION AT 1-1

STAIRCASE (7) MIRROR IMAGE SAME (6)

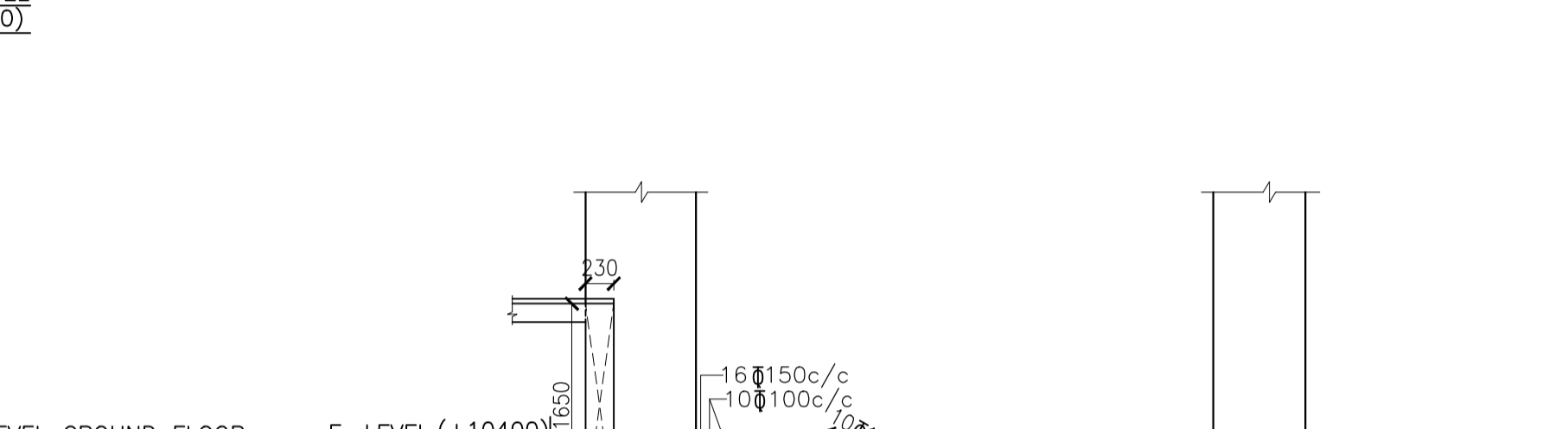
SLAB THICKNESS 300



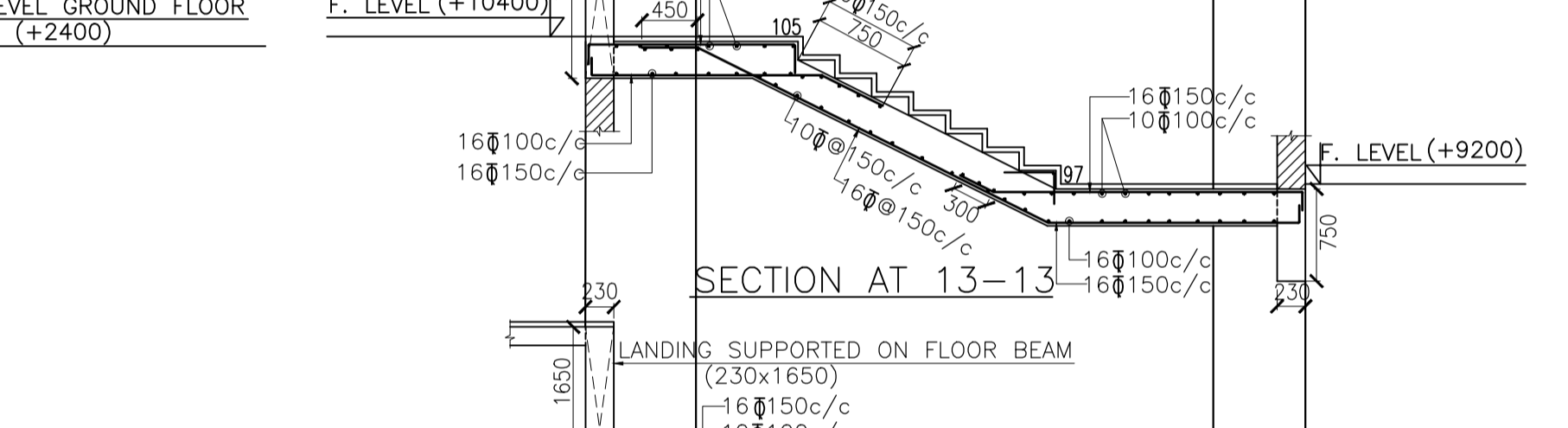
SECTION AT 14-14



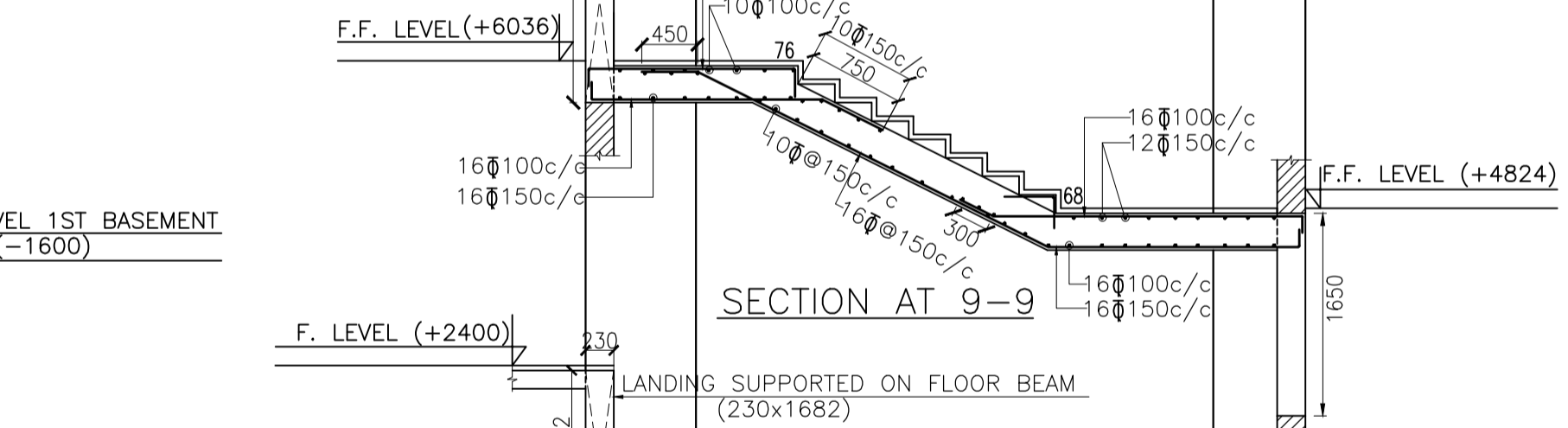
SECTION AT 12-12



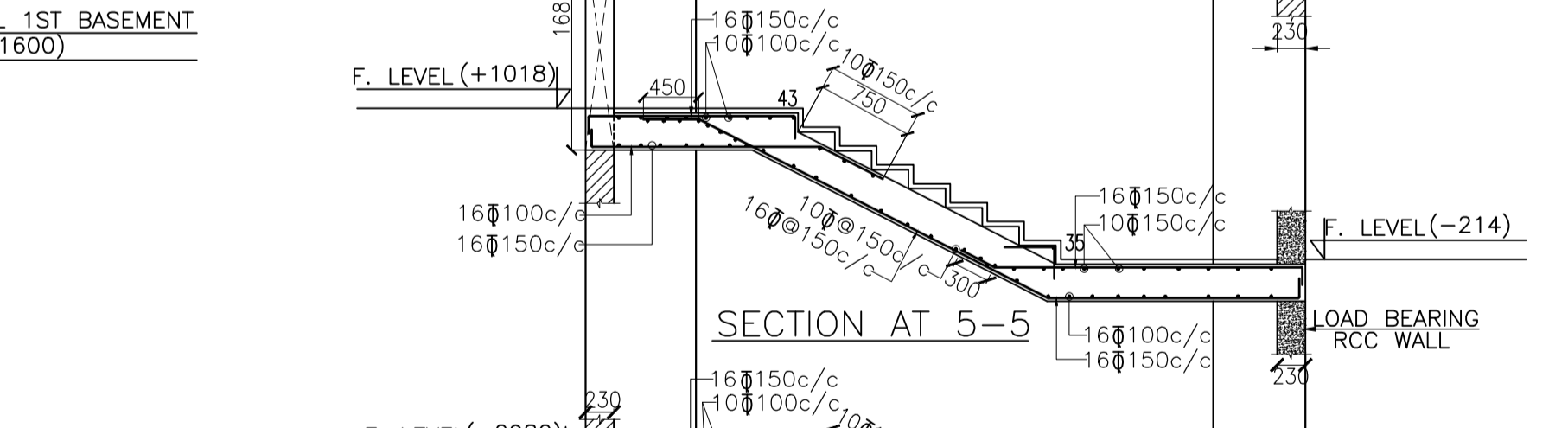
SECTION AT 13-13



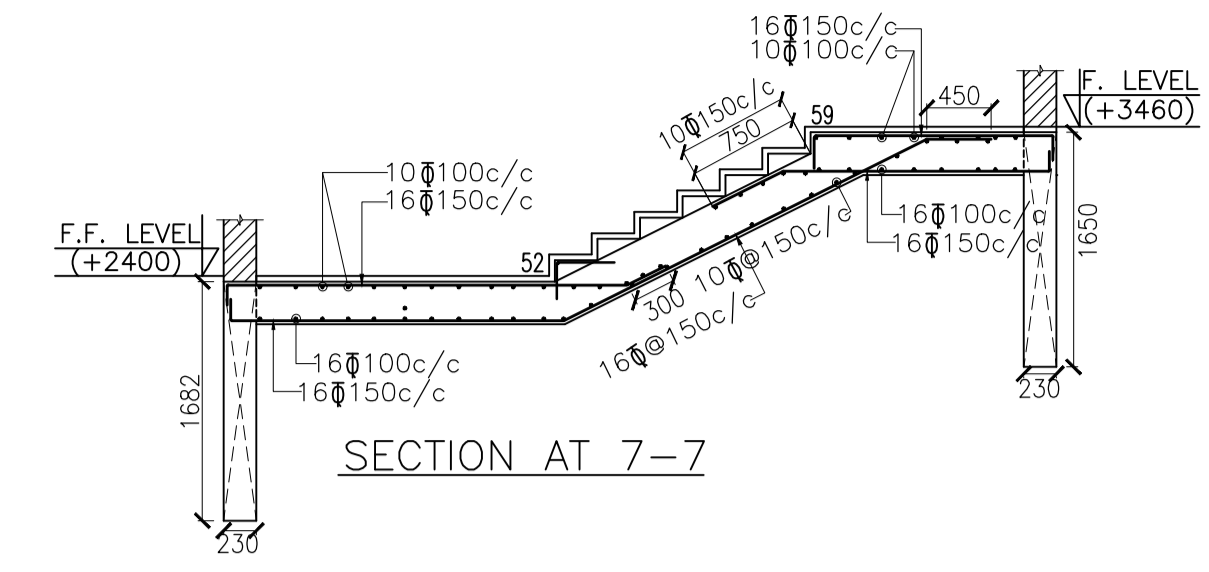
SECTION AT 9-9



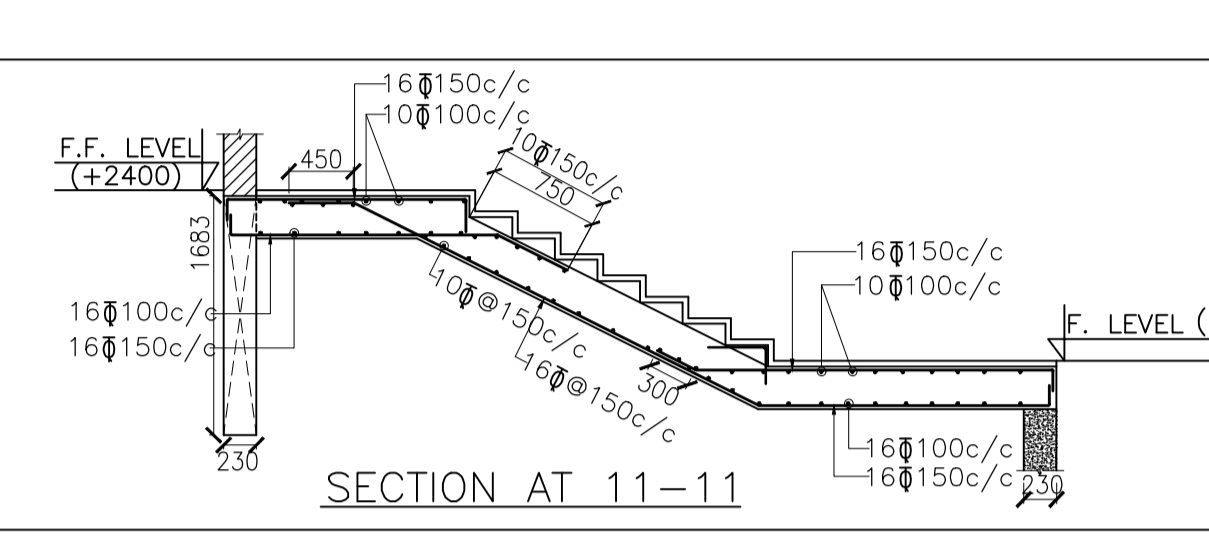
SECTION AT 5-5



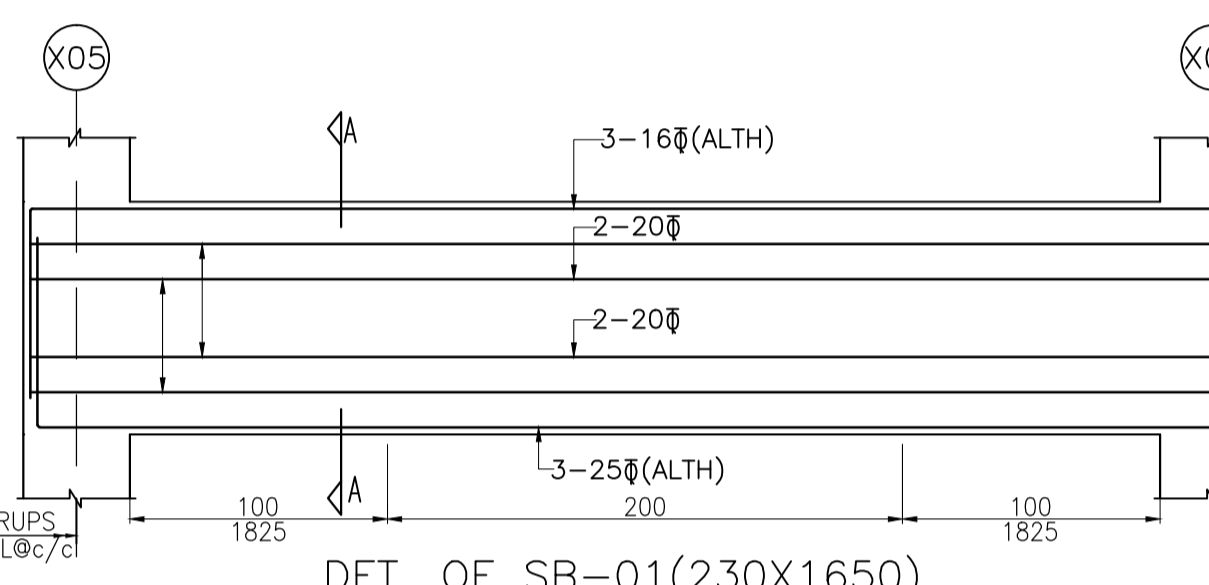
SECTION AT 2-2



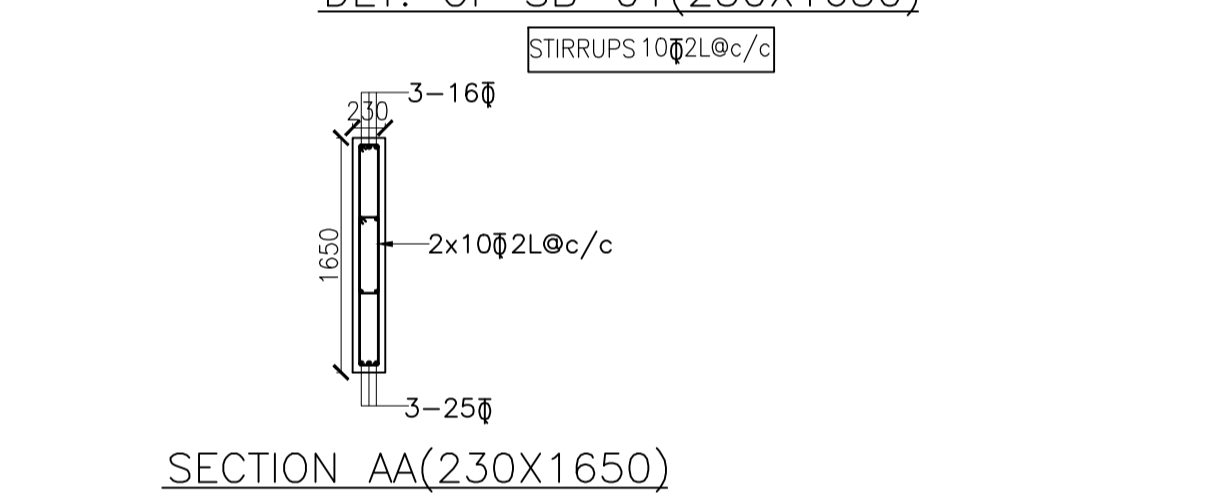
SECTION AT 7-7



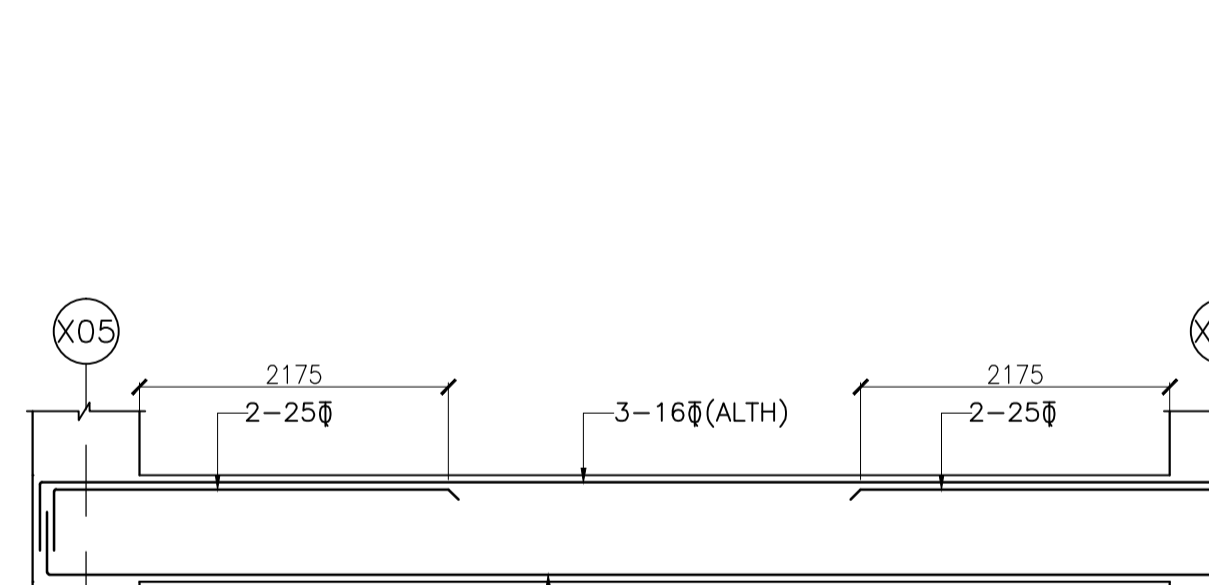
SECTION AT 11-11



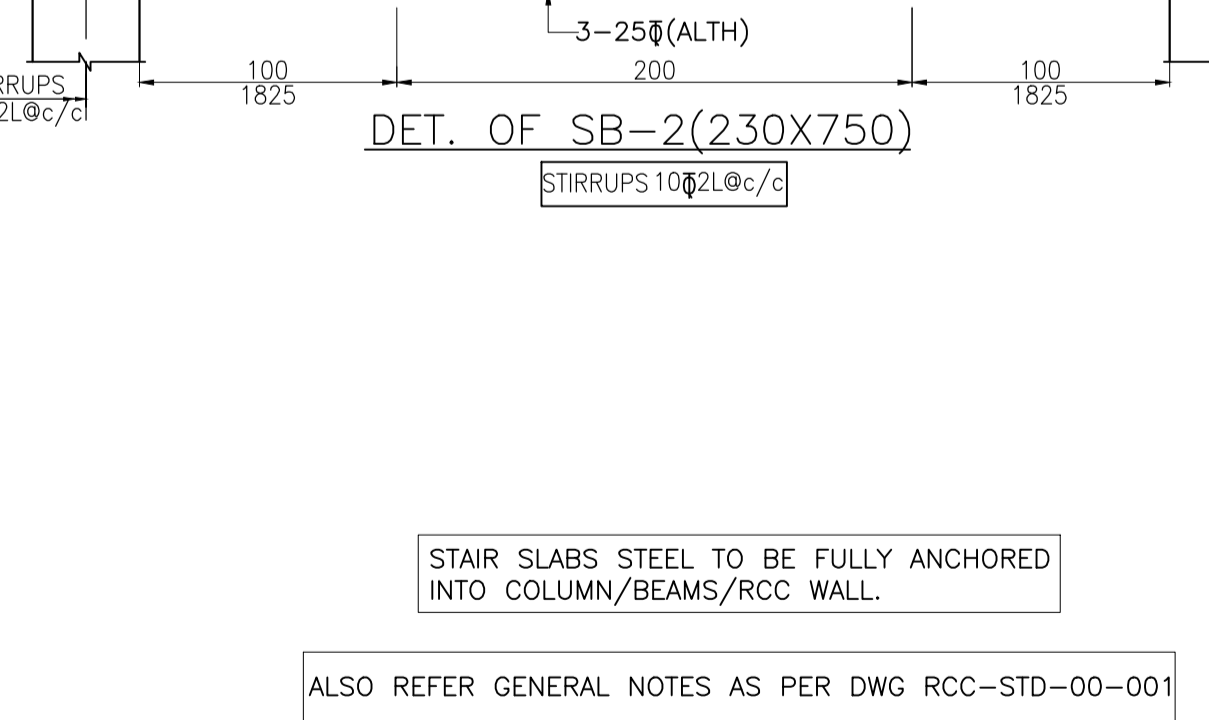
DET. OF SB-01(230X1650)



SECTION AA(230X1650)



DET. OF SB-2(230X750)



SECTION AA(230X750)

STAIR SLABS STEEL TO BE FULLY ANCHORED INTO COLUMN/BEAMS/RCC WALL.

ALSO REFER GENERAL NOTES AS PER DWG RCC-STD-00-001

<p>01. This drawing is the property of M/s AMALGAMX CONSULTING PVT. LTD. who reserve all copyrights. 02. Only blue print shall be considered for construction.</p>	<p>PRINT DATA</p>		<p>ISSUED TO CLIENT</p>		<p>ARCHITECTS C-10, SECTOR-3, NOIDA TEL: 012-4601000, FAX: 0120-4601010 E-MAIL: dfaconsultants@gmail.com</p>	<p>ENGINEERS AMALGAMX CONSULTING PVT. LTD. M-144, Annexe, GKII, New Delhi</p>		<p>DRAWING NO: - S-00-012</p>		
	NO	DATE	COPIES	DATE		NO	BY	DESCRIPTION	DATE	REVISION
	01	06-05-2011	00	06-05-2011		01	R.D.	SCALE:		
							PM.	DATE: 06-05-2011		
					<p>PROJECT: M/S OSWAL WOOLLEN MILLS LTD. ON G.T. ROAD SHERPUR, LUDHIANA</p>		<p>TITLE: DETAILS OF STAIRCASE (6).</p>		<p>REVISION</p>	
									<p>JOB NO. 2010-05</p>	