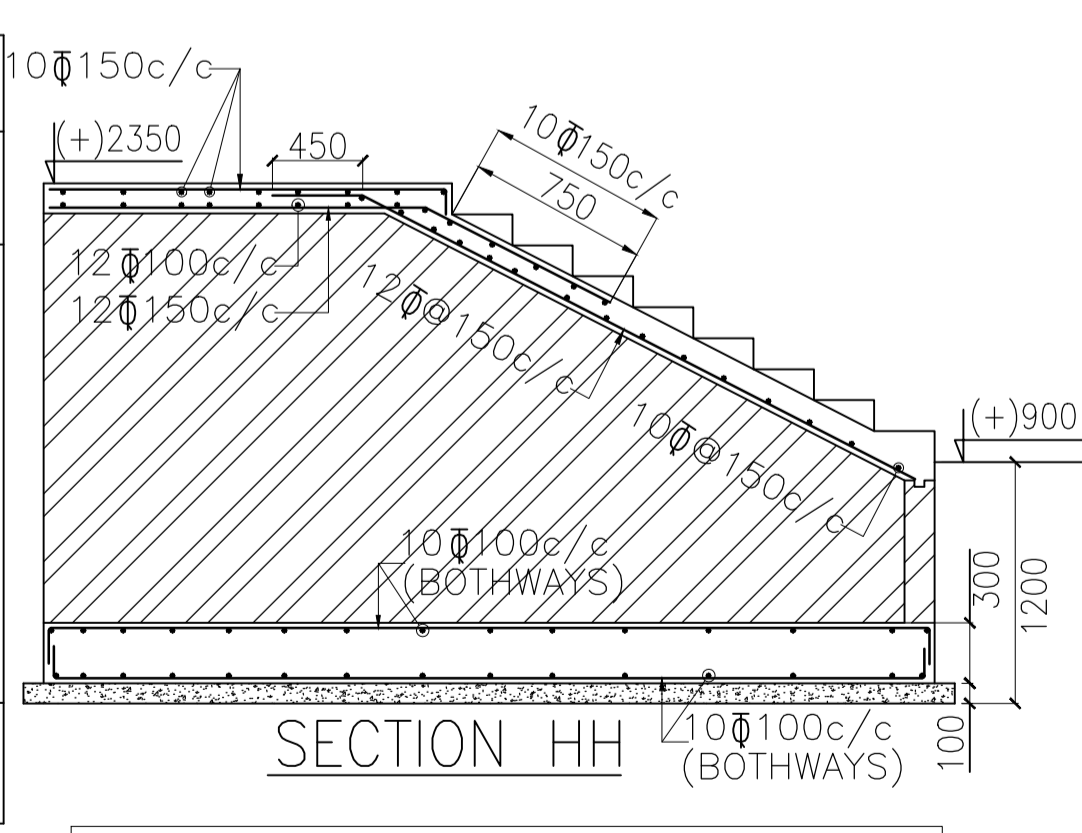


← SCHEDULE OF SLAB REINFORCEMENT →					
SLAB MARK	SLAB THICKNESS	TWO WAY/ ONE WAY	BOTTOM REINFORCEMENT		REMARKS
			PARALLEL TO SHORT SPAN	PARALLEL TO LONG SPAN	
S1	165	ONE WAY	10φ150c/c ALT. BEND	8φ150c/c ALT. BEND	BOTTOM REINFORCEMENT CRANCKED
S2	165	ONE WAY	10φ100c/c ALT. BEND	8φ150c/c ALT. BEND	
S3	165	TWO WAY	10φ200c/c ALT. BEND	10φ200c/c ALT. BEND	
S4	200	TWO WAY	10φ100c/c ALT. BEND	10φ150c/c ALT. BEND	



ALSO REFER GENERAL NOTES AS PER DWG RCC-STD-00-001

01. This drawing is the property of M/s AMALGAMX CONSULTING PVT. LTD. who reserve all copyrights. 02. Only blue print shall be considered for construction.		PRINT DATA NO. 01 COPIES 00 DATE 01-08-2011 ISSUED TO CLIENT		ARCHITECTS C-10, SECTOR-3, NOIDA TEL: 012-4601000, FAX: 0120-4601010 E-MAIL: dfaconsultants@gmail.com		ENGINEERS AMALGAMX CONSULTING PVT. LTD. M-144, Annexe, GKII, New Delhi		DRAWING NO: - S-00-015	
REVISION NO. BY DATE DESCRIPTION		SCALE: DATE: 01-08-2011		DRN: R.D. DSN: PM.		PROJECT: M/S OSWAL WOOLLEN MILLS LTD. ON G.T. ROAD SHERPUR, LUDHIANA		REVISION R1	
				TITLE: GROUND FLOOR PLAN FOR PART (IV)		JOB NO. 2010-05			