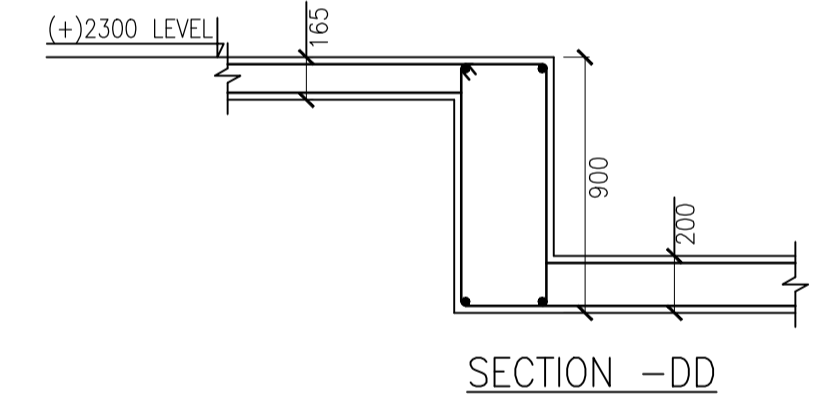
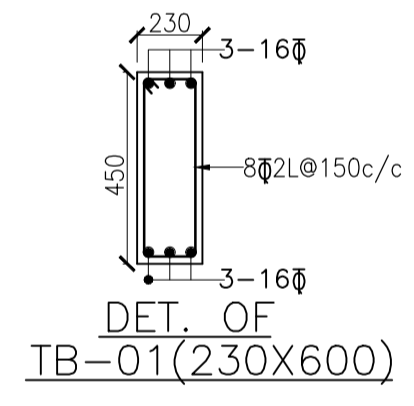
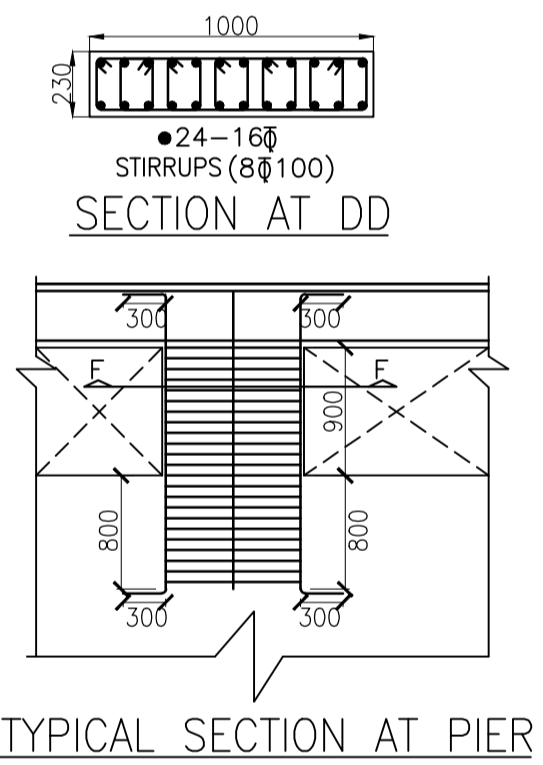
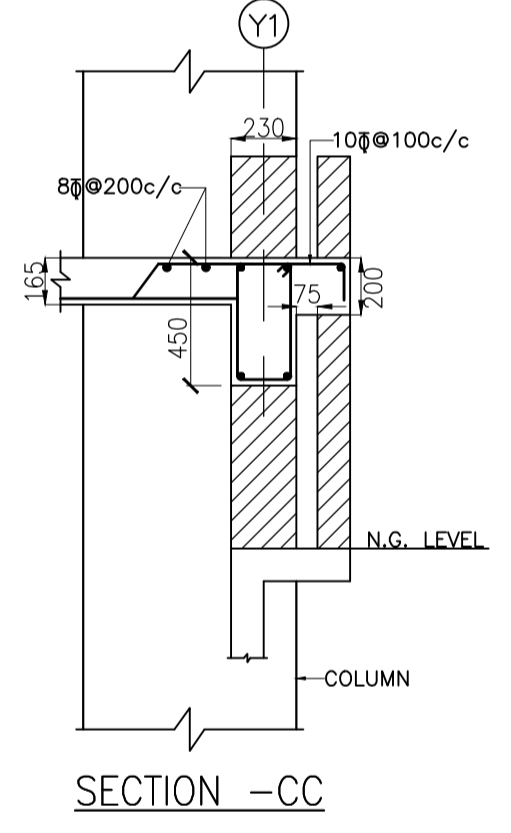
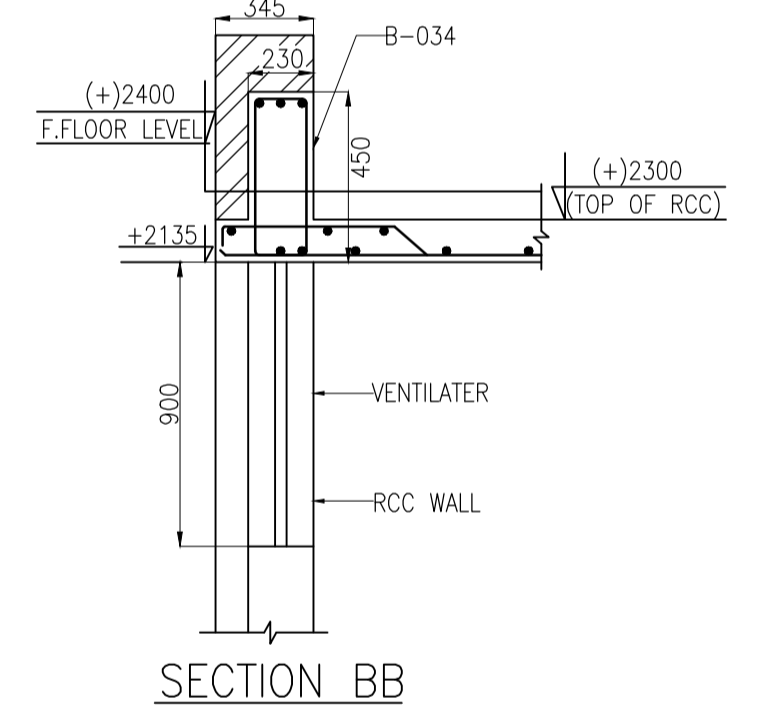
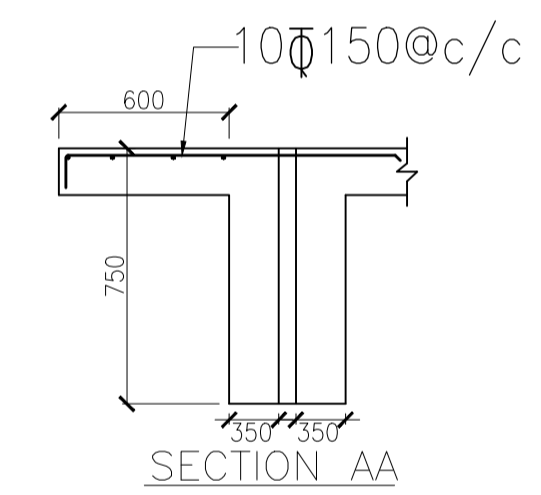
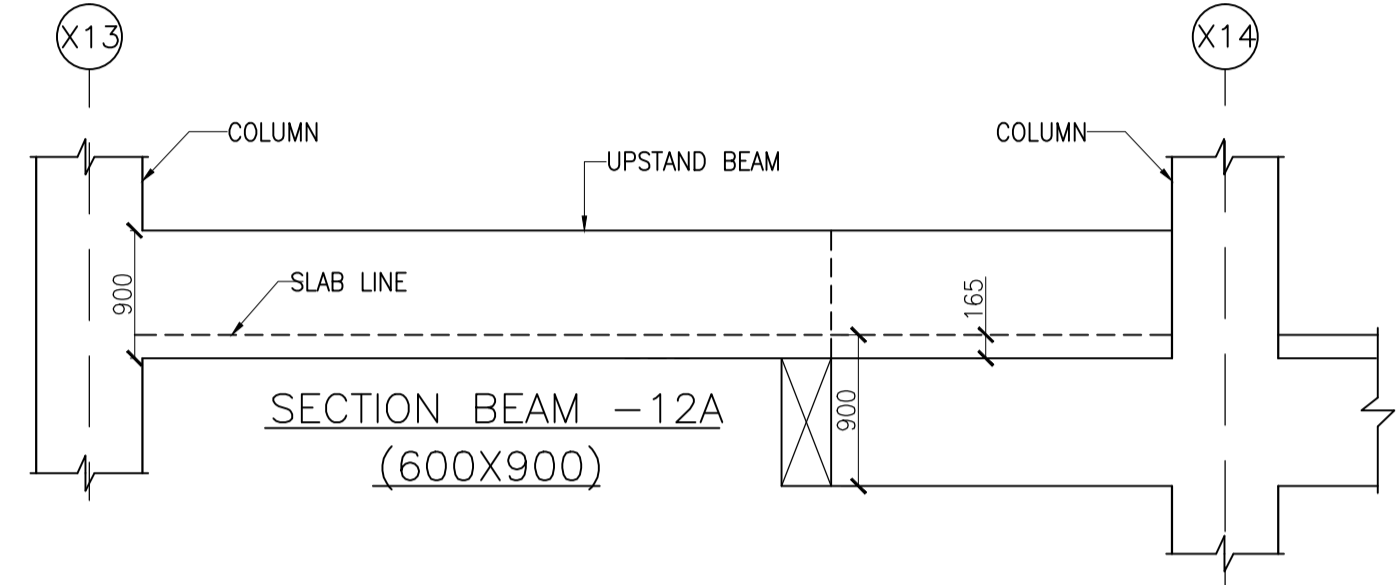
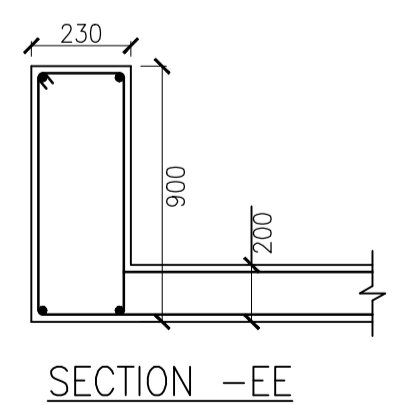
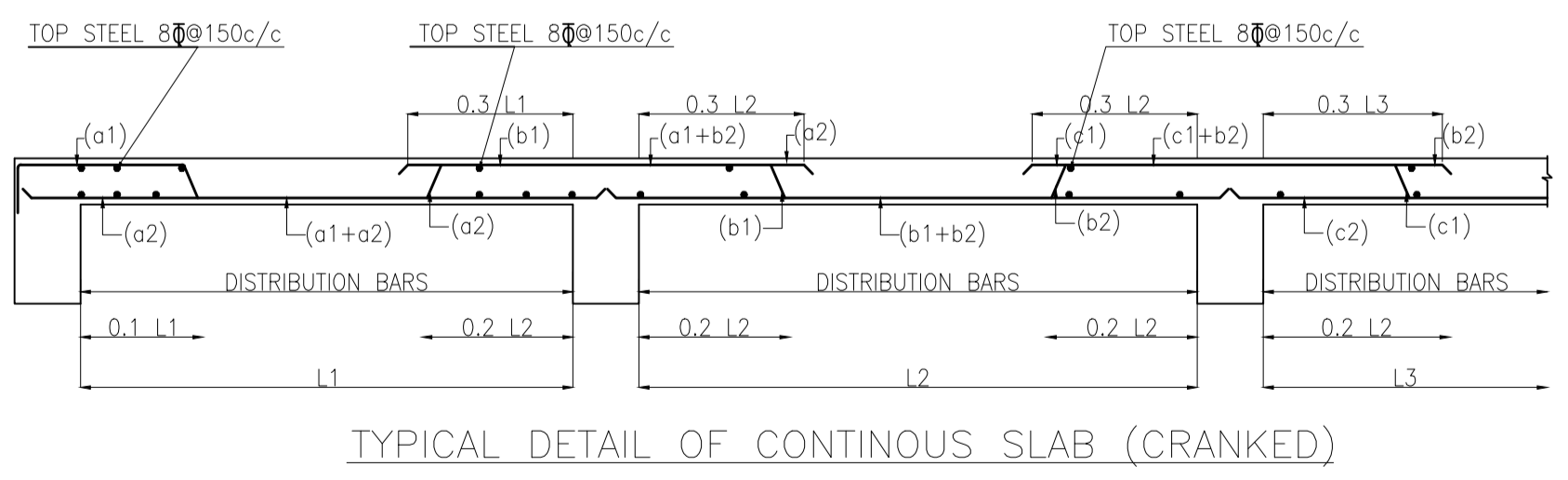


SLAB MARK	SLAB THICKNESS	TWO WAY/ ONE WAY	BOTTOM REINFORCEMENT		REMARKS
			PARALLEL TO SHORT SPAN	PARALLEL TO LONG SPAN	
S1	165	ONE WAY	10@150c/c ALT. BEND	8@150c/c ALT. BEND	BOTTOM REINFORCEMENT CRANCKED
S2	165	ONE WAY	10@100c/c ALT. BEND	8@150c/c ALT. BEND	
S3	165	TWO WAY	10@200c/c ALT. BEND	10@200c/c ALT. BEND	
S4	200	TWO WAY	12@150c/c ALT. BEND	12@200c/c ALT. BEND	
S5	165	TWO WAY	10@150c/c ALT. BEND	10@200c/c ALT. BEND	



CONCRETE MIX
SLAB-M30
BEAM-M30

ALL STEEL IS $F_y = 500 \text{ N/mm}^2$



- NOTES:
- 1 READ THIS DRG IN CONJUNCTION WITH ALL OTHER RELEVANT ARCH/STRCL DRGS
 - 2 ALL DIMENSION ARE IN MM AND LEVELS ARE IN METERS.
 - 3 USE CONC MIX FOR R.C.C WORK SHALL BE (M25) UNLESS NOTED OTHERWISE CONFORMING TO IS:456-2000
 - 4 REINF.SHALL BE HYSD BARS CONFORMING TO GRADE Fe500 OF IS:1786-1985 (CLAR STRENGTH OF 500 N/mm²)
 - 5 ALL FOOTINGS ARE CENTRALLY PLACED ABOUT CENTRE LINE OF PEDESTAL.U.N.O
 - 6 CLEAR COVER TO MAIN REINF(EXCLUSIVE OF PLASTER) SHALL BE FOLLOWS:-
 - a1-ISOLATED FOOTING-MINIMUM 50mm AT BOTTOM & SIDES.
 - a2-RAFT FOOTING- MINIMUM 40mm AT BOTTOM & 25mm AT SIDES.FOR BEAMS MINIMUM 25mm AT BOTTOM & SIDES.FOR SLABS
 - b-FLOORS-ROOFS 25mm FOR BEAMS 20mm FOR SLABS
 - c-STAIRCASE 20mm
 - d-COLUMNS 40mm OR DIA OF LONGITUDINAL BAR WHICH EVER IS MORE
 - 8 ANY DISCREPANCY IN REGARD TO THE ABOVE NOTES SHALL BE POINTED OUT TO THE ARCHITECTS/CONSULTING ENGINEERS
 - 9 DO NOT SCALE THE DRAWING,FOLLOW WRITTEN DIMENSIONS ONLY
 - 10 NECESSARY FIXURES FOR ELECTRICAL/PLUMBING PIPES ETC.SHALL BE PROVIDED IN SLABS/BEAMS BEFORE CASTING AS PER RELEVANT ELECTRICAL/PLUMBING DRGS.
- [ALSO REFER GENERAL NOTES AS PER DWG RCC-STD-00-001]

01. This drawing is the property of M/s AMALGAMX CONSULTING PVT. LTD. who reserve all copyrights. 02. Only blue print shall be considered for construction.	PRINT DATA		ARCHITECTS C-10, SECTOR-3, NOIDA TEL: 012-4601000, FAX: 0120-4601010 E-MAIL: dfaconsultants@gmail.com	ENGINEERS AMALGAMX CONSULTING PVT. LTD. M-144, Annexe, GKII, New Delhi		DRAWING NO:- S-00-017-01
	NO	COPIES		DATE	SCALE:	
01	00	11-08-2011	DATE: 11-08-2011	DRN: R.D	PROJECT: M/S OSWAL WOOLLEN MILLS LTD. ON G.T. ROAD SHERPUR, LUDHIANA	REVISION 2010-05
				CHD	TITLE: GROUND FLOOR PLAN. (III)	