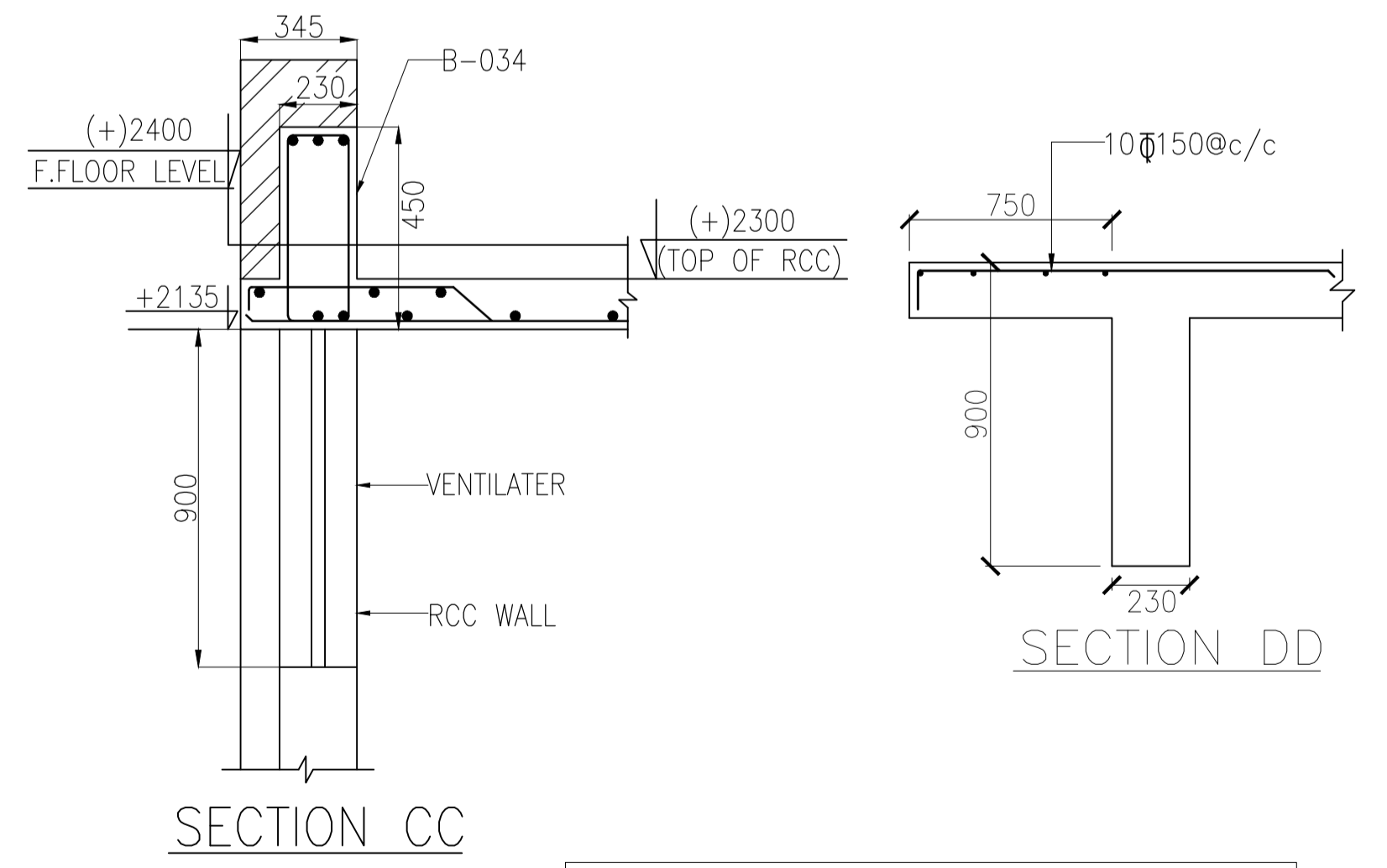
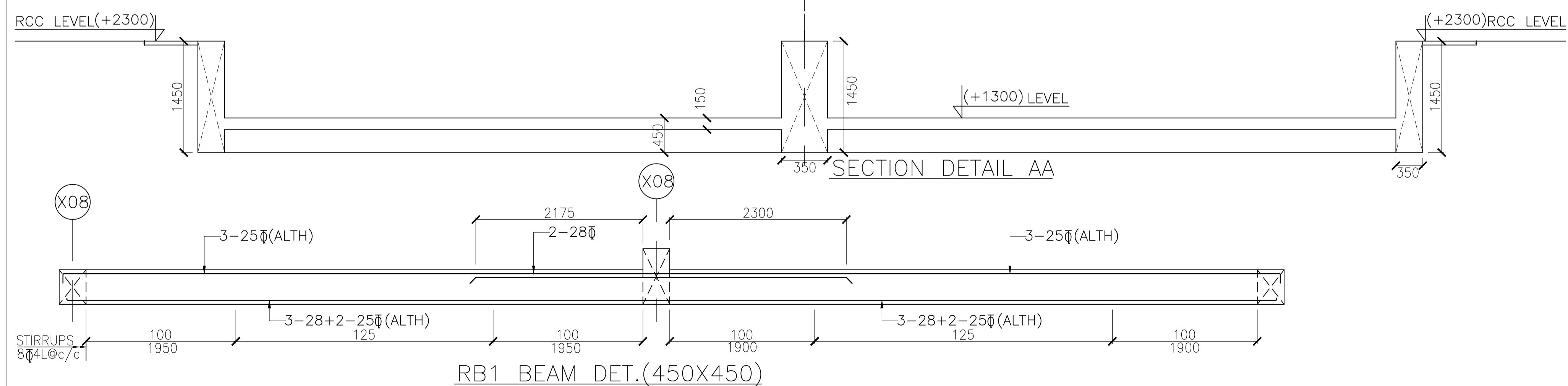


SCHEDULE OF SLAB REINFORCEMENT					
SLAB MARK	SLAB THICKNESS	TWO WAY/ ONE WAY	BOTTOM REINFORCEMENT		REMARKS
			PARALLEL TO SHORT SPAN	PARALLEL TO LONG SPAN	
S1	165	ONE WAY	10φ@150c/c ALT. BEND	8φ@150c/c ALT. BEND	BOTTOM REINFORCEMENT CRANKED
S2	165	ONE WAY	10φ@100c/c ALT. BEND	8φ@150c/c ALT. BEND	
S3	165	TWO WAY	10φ@200c/c ALT. BEND	10φ@200c/c ALT. BEND	
S4	200	TWO WAY	12φ@150c/c ALT. BEND	12φ@200c/c ALT. BEND	
S5	200	TWO WAY	10φ@100c/c ALT. BEND	10φ@200c/c ALT. BEND	



01. This drawing is the property of M/s AMALGAMX CONSULTING PVT. LTD. who reserve all copyrights. 02. Only blue print shall be considered for construction.

PRINT DATA		ARCHITECTS		ENGINEERS		DRAWING NO: - S-00-018/1	
NO	COPIES	DATE	ISSUED TO	DATE	DESCRIPTION		PROJECT:
01	00	27-07-2011	CLIENT	27-07-2011	ARCHITECTS C-10, SECTOR-3, NOIDA TEL: 012-4601000, FAX: 0120-4601010 E-MAIL: dfaconsultants@gmail.com	AMALGAMX CONSULTING PVT. LTD. M-144, Annexe, GKII, New Delhi	
		NO	BY	DATE	SCALE:	M/S OSWAL WOOLLEN MILLS LTD. ON G.T. ROAD SHERPUR, LUDHIANA	
		01	00	27-07-2011	DRN: R.D DSN: PM. CHD:		REVISION JOB NO. 2010-05
		TITLE: GROUND FLOOR PLAN FOR PART (II)					

ALSO REFER GENERAL NOTES AS PER DWG RCC-STD-00-001