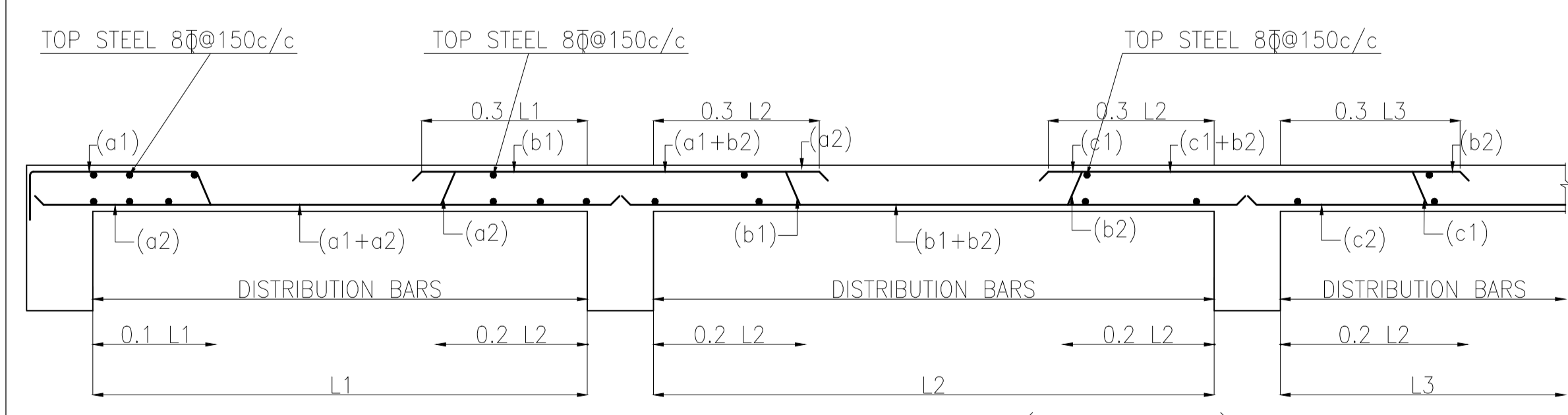
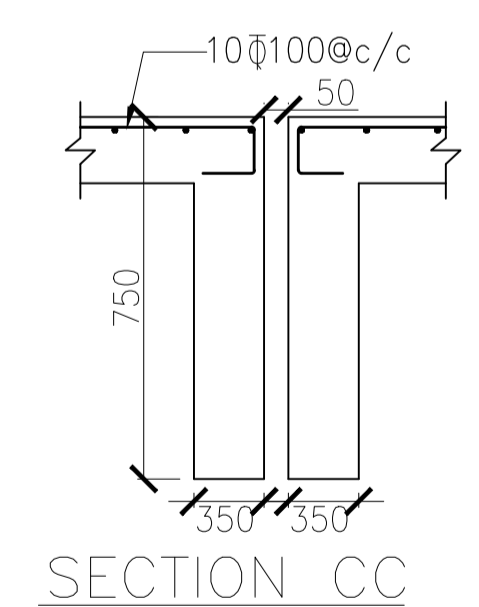


SLAB MARK	SLAB THICKNESS	TWO WAY/ ONE WAY	BOTTOM REINFORCEMENT		REMARKS
			PARALLEL TO SHORT SPAN	PARALLEL TO LONG SPAN	
S1	165	ONE WAY	10 $\phi$ @150c/c ALT. BEND	8 $\phi$ @150c/c ALT. BEND	BOTTOM REINFORCEMENT CRANCKED
S2	165	ONE WAY	10 $\phi$ @100c/c ALT. BEND	8 $\phi$ @150c/c ALT. BEND	
S3	165	TWO WAY	10 $\phi$ @200c/c ALT. BEND	10 $\phi$ @200c/c ALT. BEND	

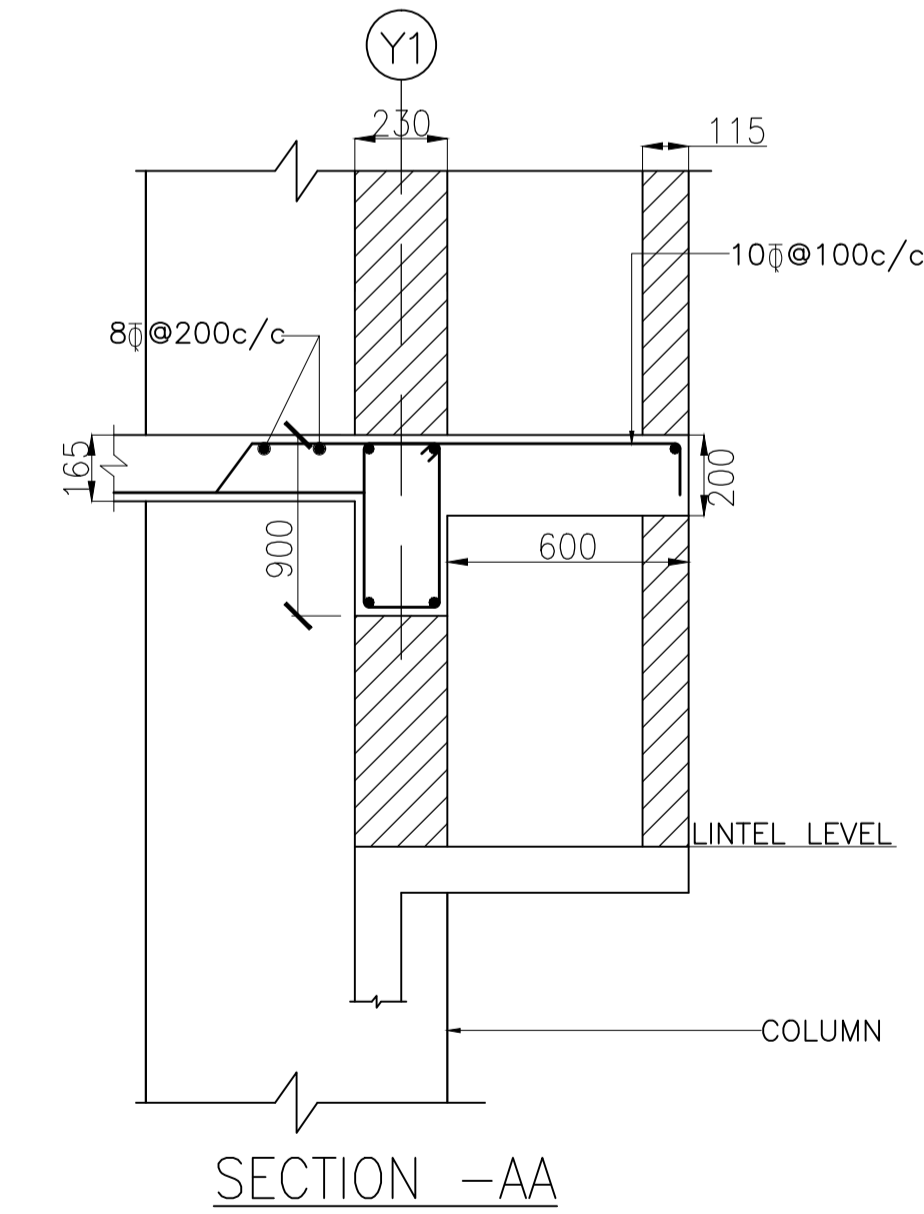
CONCRETE MIX  
SLAB-M30  
BEAM-M30  
ALL STEEL IS  $F_y = 500 \text{ N/mm}^2$



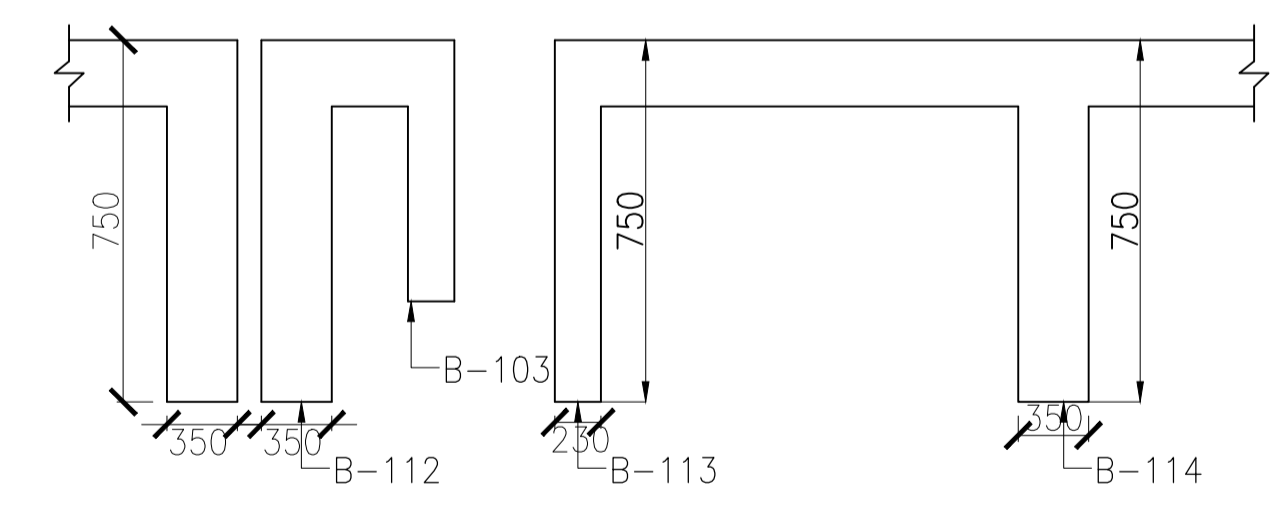
TYPICAL DETAIL OF CONTINUOUS SLAB (CRANKED)



SECTION CC



SECTION -AA



SECTION BB

ALSO REFER GENERAL NOTES AS PER DWG RCC-STD-00-001

01. This drawing is the property of M/s AMALGAMX CONSULTING PVT. LTD. who reserve all copyrights. 02. Only blue print shall be considered for construction.	PRINT DATA		ARCHITECTS C-10, SECTOR-3, NOIDA TEL: 012-4601000, FAX: 0120-4601010 E-MAIL: dfaconsultants@gmail.com	ENGINEERS		AMALGAMX CONSULTING PVT. LTD. M-144, Annexe, GKII, New Delhi	DRAWING NO: - S-00-023/1			
	NO	DATE		ISSUED TO	SCALE:			DRN:	PROJECT:	REVISION
	01	11-10-2011		CLIENT	DATE: 11-10-2011			PM.	M/S OSWAL WOOLLEN MILLS LTD. ON G.T. ROAD SHERPUR, LUDHIANA	JOB NO. 2010-05
	00								TITLE: FIRST FLOOR PLAN FOR PART (II)	