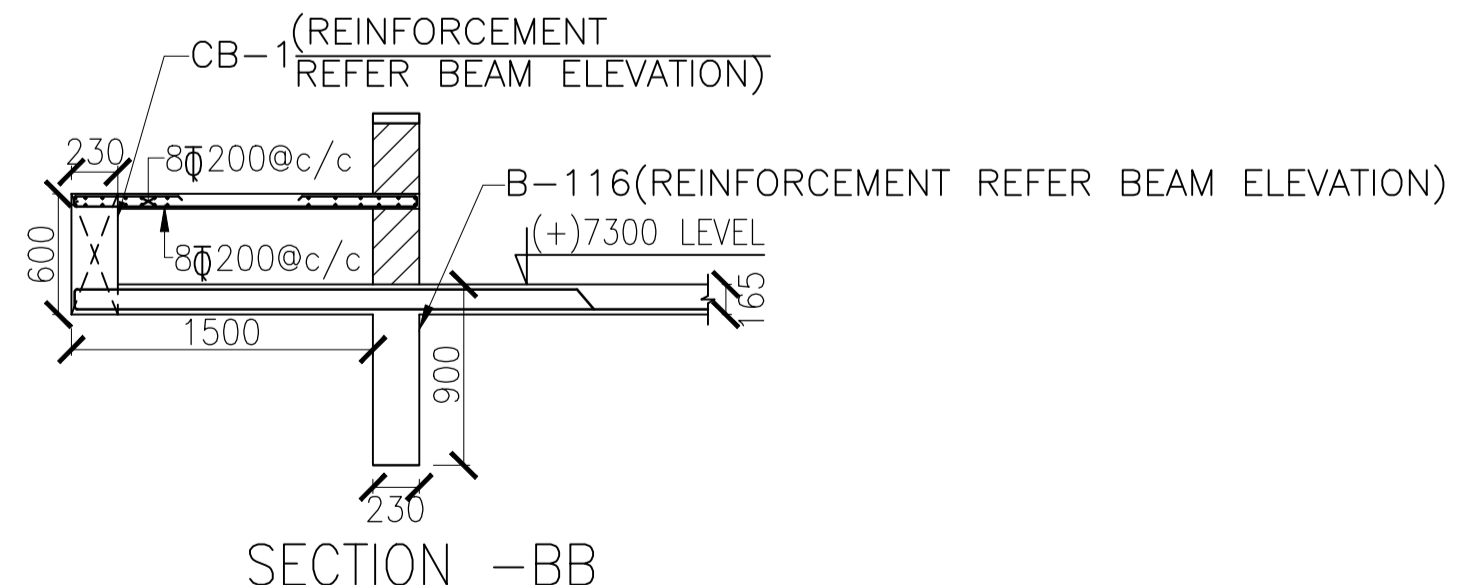
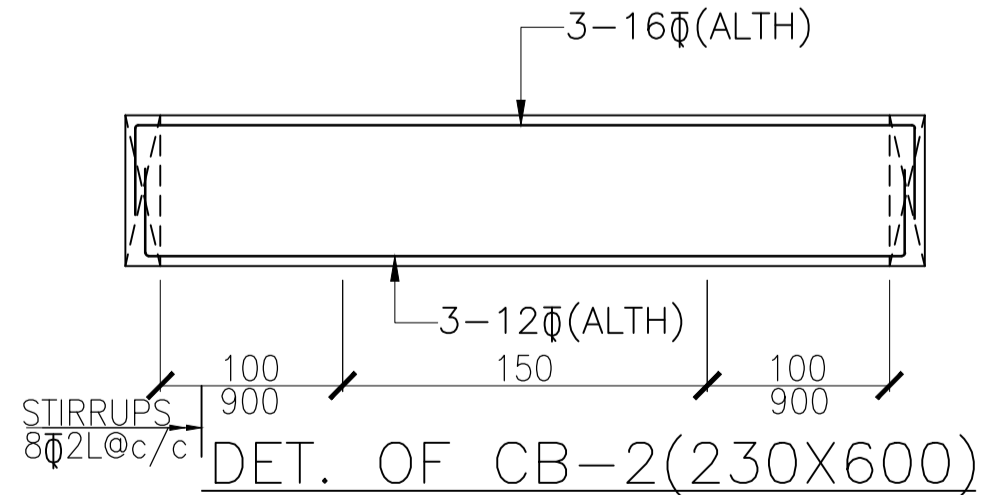
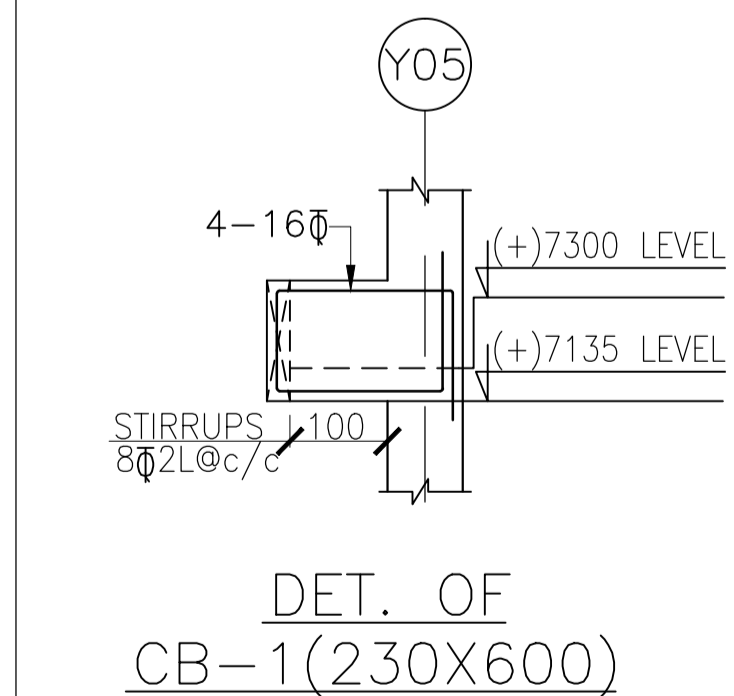


← SCHEDULE OF SLAB REINFORCEMENT →					
SLAB MARK	SLAB THICKNESS	TWO WAY/ ONE WAY	BOTTOM REINFORCEMENT		REMARKS
			PARALLEL TO SHORT SPAN	PARALLEL TO LONG SPAN	
S1	165	ONE WAY	10φ@150c/c ALT. BEND	8φ@150c/c ALT. BEND	BOTTOM REINFORCEMENT CRANCKED
S2	165	ONE WAY	10φ@100c/c ALT. BEND	8φ@150c/c ALT. BEND	
S3	165	TWO WAY	10φ@150c/c ALT. BEND	10φ@200c/c ALT. BEND	



- NOTES:**
- 1 READ THIS DRG IN CONJUNCTION WITH ALL OTHER RELEVANT ARCH/STRCL DRGS
  - 2 ALL DIMENSION ARE IN MM AND LEVELS ARE IN METERS.
  - 3 USE CONC MIX FOR R.C.C WORK SHALL BE (M25) UNLESS NOTED OTHERWISE CONFORMING TO IS:456-2000
  - 4 REINF. SHALL BE HYSD BARS CONFORMING TO GRADE Fe500 OF IS:1786-1985 (CLAR STRENGTH OF 500 N/mm<sup>2</sup>)
  - 5 ALL FOOTINGS ARE CENTRALLY PLACED ABOUT CENTRE LINE OF PEDESTAL.U.N.O
  - 6 CLEAR COVER TO MAIN REINF.(EXCLUSIVE OF PLASTER) SHALL BE FOLLOWS:-  
 a1-ISOLATED FOOTING-MINIMUM 50mm AT BOTTOM & SIDES.  
 a2-RAFT FOOTING- MINIMUM 40mm AT BOTTOM & 25mm AT SIDES.FOR BEAMS  
 MINIMUM 25mm AT BOTTOM & SIDES.FOR SLABS  
 b-FLOORS-ROOFS 25mm FOR BEAMS  
 20mm FOR SLABS  
 c-STAIRCASE 20mm  
 d-COLUMNS 40mm OR DIA OF LONGITUDINAL BAR WHICH EVER IS MORE
  - 7 IF SITE ENGINEER IS NOT SATISFIED WITH BEARING STRATA OF FOOTING AT THE INDICATED DEPTH THAN  
 a-A MAX.OF 0.5m OF DEPTH SHALL BE EXCAVATED FUTHER DEEP SO AS TO GET A GOOD BEARING SOIL & THIS ADDITIONAL DEPTH SHALL BE FILLED UP WITH CONC. OF 1:6:12 MIX  
 b-IF ADDITIONAL EXCAVATION ALSO DOES NOT REACH A GOOD BEARING STRATA THEN THE MATTER SHOULD BE REFERRED TO THE ARCH/CONSULTING ENGG.
  - 8 ANY DISCREPANCY IN REGARD TO THE ABOVE NOTES SHALL BE POINTED OUT TO THE ARCHITECTS/CONSULTING ENGINEERS
  - 9 DO NOT SCALE THE DRAWING,FOLLOW WRITTEN DIMENSIONS ONLY
  - 10 NECESSARY FIXURES FOR ELECTRECAL/PLUMBING PIPES ETC.SHALL BE PROVIDED IN SLABS/BEAMS BEFORE CASTING AS PER RELEVANT ELECTRECAL/PLUMBING DRGS.
  - 11 SAFE BEARING CAPACITY OF PILE IS TAKEN AS 8.5 T/m AT A DEPTH OF 2.0M BELOW NATURAL GROUND LEVEL(AS PROVIDED BY CLIENT)
  - 12 CENTRE LINES OF COLUMN & FOOTINGS SHOULD MATCH UNLESS OTHERWISE SHOWN
- [ALSO REFER GENERAL NOTES AS PER DWG RCC-STD-00-001]

01. This drawing is the property of M/s AMALGAMX CONSULTING PVT. LTD. who reserve all copyrights. 02. Only blue print shall be considered for construction.	PRINT DATA		ARCHITECTS C-10, SECTOR-3, NOIDA TEL: 012-4601000, FAX: 0120-4601010 E-MAIL: dfaconsultants@gmail.com	ENGINEERS		AMALGAMX CONSULTING PVT. LTD. M-144, Annexe, GKII, New Delhi	DRAWING NO: - S-00-020/1	
	NO	DATE		NO	DATE			REVISION
	01	12-08-2011		00	12-08-2011			
	00			00				
PROJECT: M/S OSWAL WOOLLEN MILLS LTD. ON G.T. ROAD SHERPUR, LUDHIANA			SCALE: DATE: 12-08-2011		PROJECT: M/S OSWAL WOOLLEN MILLS LTD. ON G.T. ROAD SHERPUR, LUDHIANA		REVISION:	
TITLE: FIRST FLOOR PLAN FOR PART (IV)			DATE: 12-08-2011		PROJECT: M/S OSWAL WOOLLEN MILLS LTD. ON G.T. ROAD SHERPUR, LUDHIANA		JOB NO. 2010-05	