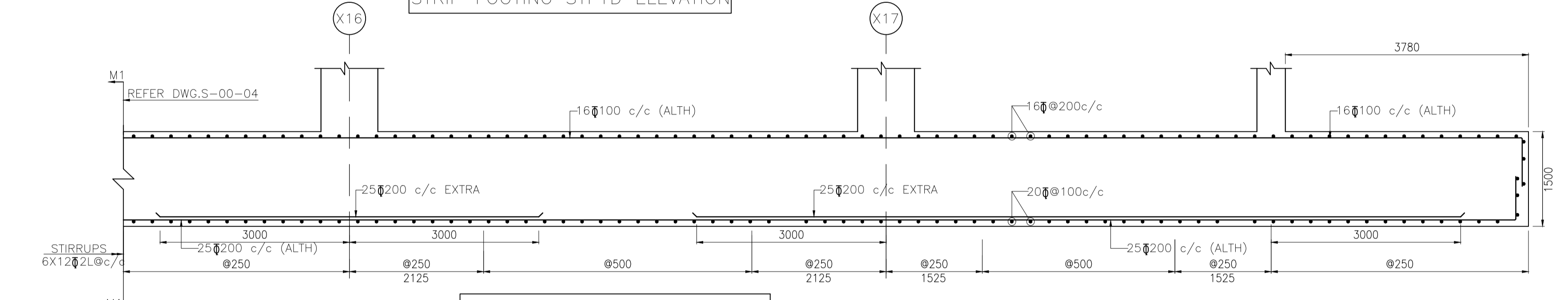
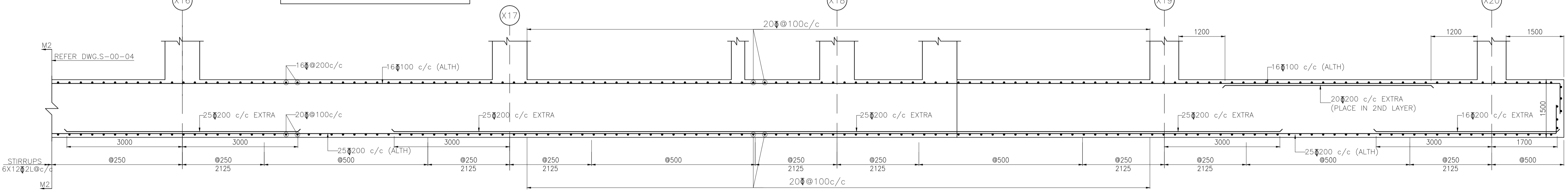


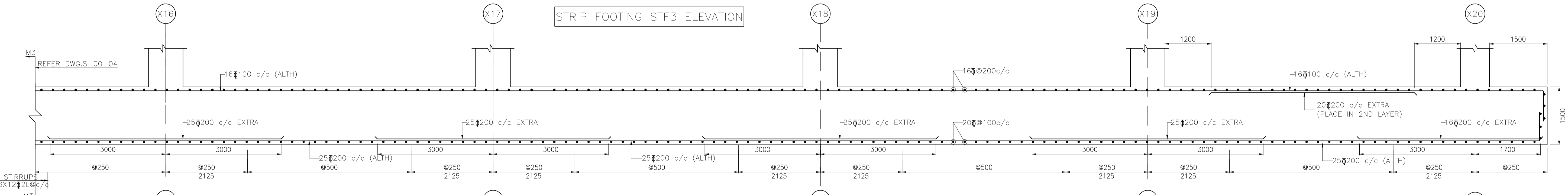
STRIP FOOTING STF1D ELEVATION



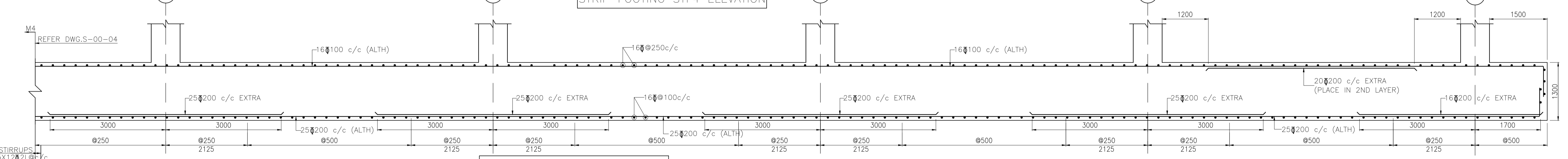
STRIP FOOTING STF2 ELEVATION



STRIP FOOTING STF3 ELEVATION



STRIP FOOTING STF4 ELEVATION



STRIP FOOTING STF5 ELEVATION

CONCRETE MIX FOR STRIP FOOTINGS M25  
STEEL IS  $FY = 500 \text{ N/mm}^2$

- NOTES:
- 1 READ THIS DRG IN CONJUNCTION WITH ALL OTHER RELEVANT ARCH/STRCL DRGS
  - 2 ALL DIMENSION ARE IN MM AND LEVELS ARE IN METERS U.N.O.
  - 3 USE CONC MIX FOR R.C.C WORK SHALL BE (M25) UNLESS NOTED OTHERWISE CONFORMING TO IS:456-2000
  - 4 REINF.SHALL BE HYSD BARS CONFORMING TO GRADE Fe500OF IS:1786-1985 (YIELD STRENGTH OF 500 N/mm<sup>2</sup>)
  - 5 ALL FOOTINGS ARE CENTRALLY PLACED ABOUT CENTRE LINE OF PEDESTAL.U.N.O
  - 6 CLEAR COVER TO MAIN REINF(EXCLUSIVE OF PLASTER) SHALL BE FOLLOWS:-
    - a1-ISOLATED FOOTING-MINIMUM 50mm AT BOTTOM & SIDES.
    - a2-RAFT FOOTING- MINIMUM 40mm AT BOTTOM & 25mm AT SIDES.FOR BEAMS
    - b-FLOORS-ROOFS 25mm FOR BEAMS
    - c-STAIRCASE 20mm FOR SLABS
    - d-COLUMNS 40mm OR DIA OF LONGITUDINAL BAR WHICH EVER IS MORE
  - 7 IF SITE ENGINEER IS NOT SATISFIED WITH BEARING STRATA OF FOOTING AT THE INDICATED DEPTH THAN
    - a-A MAX.OF 0.5m OF DEPTH SHALL BE EXCAVATED FUTHER DEEP SO AS TO GET A GOOD BEARING SOIL & THIS ADDITIONAL DEPTH SHALL BE FILLED UP WITH CONC. OF 1:6:12 MIX
    - b-IF ADDITIONAL EXCAVATION ALSO DOES NOT REACH A GOOD BEARING STRATA THEN THE MATTER SHOULD BE REFERRED TO THE ARCH/CONSULTING ENGG.
  - 8 ANY DISCREPANCY IN REGARD TO THE ABOVE NOTES SHALL BE POINTED OUT TO THE ARCHITECTS/CONSULTING ENGINEERS
  - 9 DO NOT SCALE THE DRAWING,FOLLOW WRITTEN DIMENSIONS ONLY
  - 10 NECESSARY FIXURES FOR ELECTRICAL/PLUMBING PIPES ETC.SHALL BE PROVIDED IN SLABS/BEAMS BEFORE CASTING AS PER RELEVANT ELECTRICAL/PLUMBING DRGS.
  - 11 NET SAFE BEARING CAPACITY OF SOIL IS TAKEN AS 20.1 T/m AT A DEPTH OF 7.5M BELOW NATURAL GROUND LEVEL(AS PROVIDED BY CLIENT)
  - 12 CENTRE LINES OF COLUMN & FOOTINGS SHOULD MATCH UNLESS OTHERWISE SHOWN
- ALSO REFER GENERAL NOTES AS PER DWG RCC-STD-00-001

|   |            |      |           |       |        |  |  |  |   |   |               |                    |
|---|------------|------|-----------|-------|--------|--|--|--|---|---|---------------|--------------------|
| 01. This drawing is the property of M/s AMALGAMX CONSULTING PVT. LTD. who reserve all copyrights. 02. Only blue print shall be considered for construction. | PRINT DATA |      | ISSUED TO |       | CLIENT |  | ARCHITECTS   |  | ENGINEERS   |   | DRAWING NO: - |                    |
|   | COPIES     | DATE | NO        | 04-02 |        |  | C-10, SECTOR-3, NOIDA<br>TEL: 012-4601000, FAX: 0120-4601010<br>E-MAIL: dfaconsultants@gmail.com |  | AMALGAMX CONSULTING PVT. LTD.<br>M-144, Annexe, GKII, New Delhi |   | S-00-03       |                    |
|   | 00         | 01   |           |       |        |  | SCALE:   |  | PROJECT:  |   | REVISION      |                    |
|   |            |      |           |       |        |  |  |  |   | M/S OSWAL WOOLLEN MILLS LTD.<br>ON G.T. ROAD SHERPUR,LUHDIANA |               | R1R2               |
|   |            |      |           |       |        |  |  |  |   | TITLE: MAIN PLANT STRIP FOOTING ELEVATION-I                   |               | JOB NO.<br>2010-05 |