

b- COLUMN WIDTH
d- COLUMN DEPTH
S= B/2 OR 200mm WHICHEVER IS LESS

Ld =DEVELOPMENT LENGTH IN TENSION
* STIRRUPS SHALL HAVE A 135° HOOK WITH A 10 DIA. EXTENSION (BUT NOT <80mm) AT EACH END

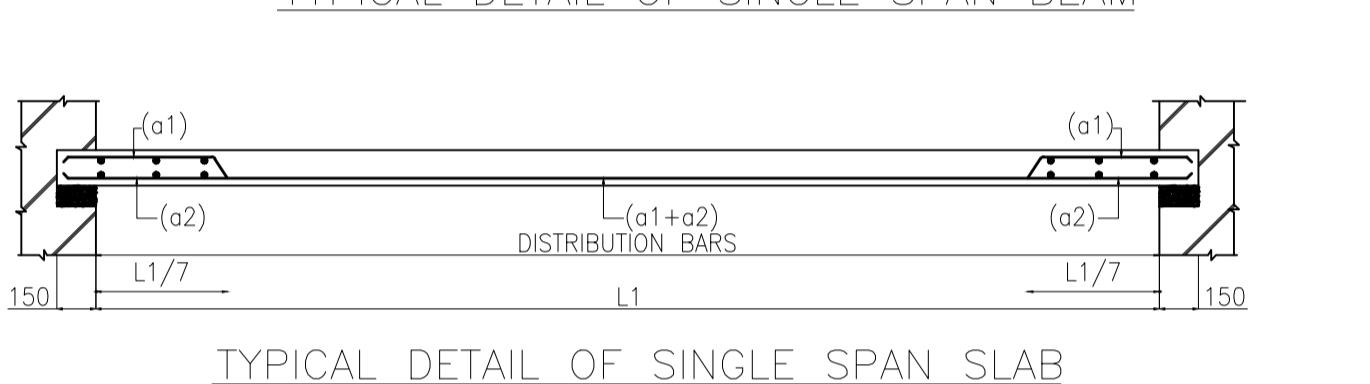
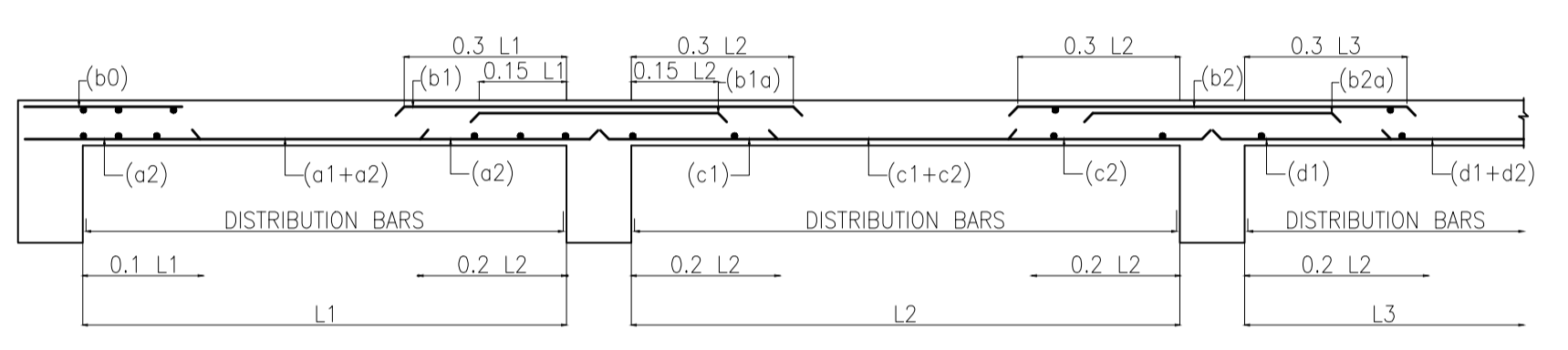
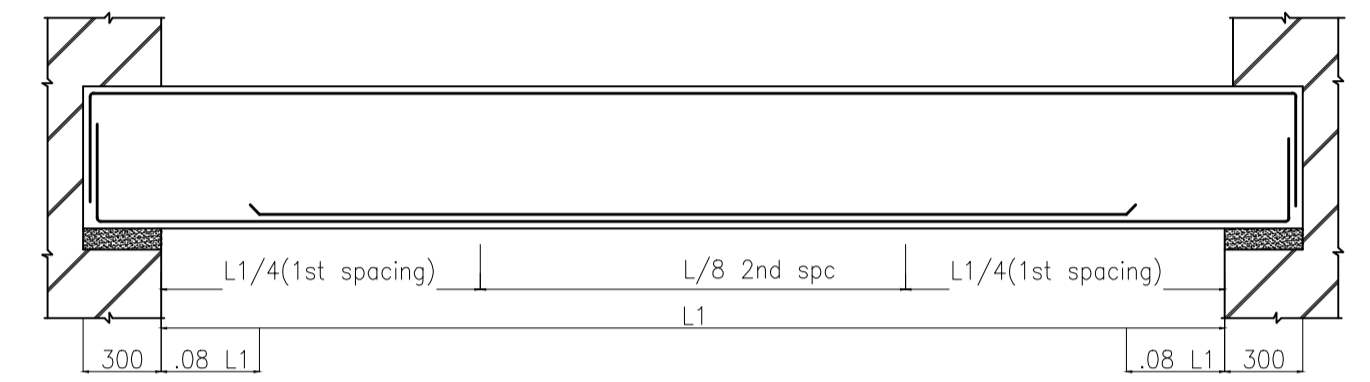
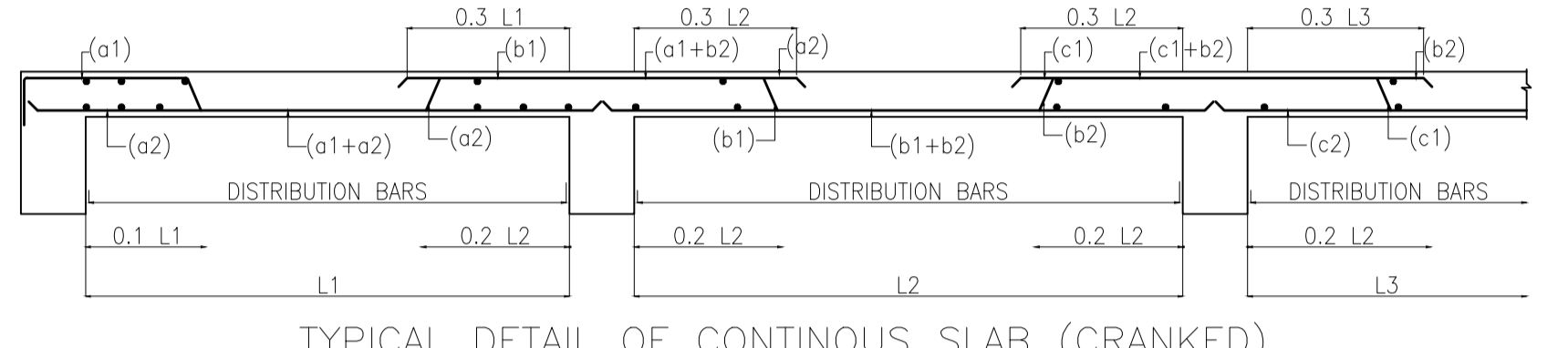
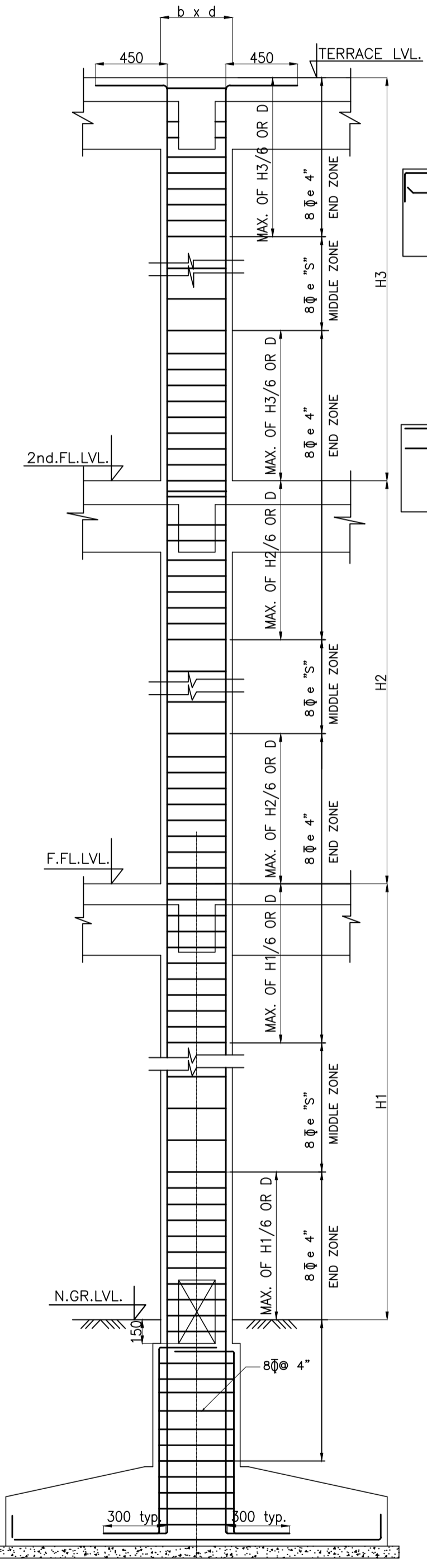
t1,t2 = TOP CONTINUOUS BAR.
b1,b2 = BOTTOM CONTINUOUS BAR.
e1,e2,e3 = TOP EXTRA BAR.
e4,e5 = BOTTOM EXTRA BAR.

		Fy-500 N/MM ²								
DIA.(mm)	MIX	8	10	12	16	20	25	28	32	36
M20		450	570	680	910	1130	1420	1590	1810	2040
M25		390	485	580	780	970	1210	1360	1550	1750
M30		360	450	545	725	910	1130	1270	1450	1630
M35		330	410	500	660	830	1030	1150	1320	1480
M40 AND ABOVE		275	375	450	600	760	950	1060	1210	1360

		Fy-415 N/MM ²								
DIA.(mm)	MIX	8	10	12	16	20	25	28	32	36
M20		380	470	560	750	940	1170	1320	1500	1690
M25		320	400	480	645	8060	1007	1130	1290	1450
M30		300	380	450	600	750	940	1050	1200	1350
M35		270	350	410	550	680	850	950	1090	1220
M40 AND ABOVE		250	320	380	500	620	780	870	1000	1120

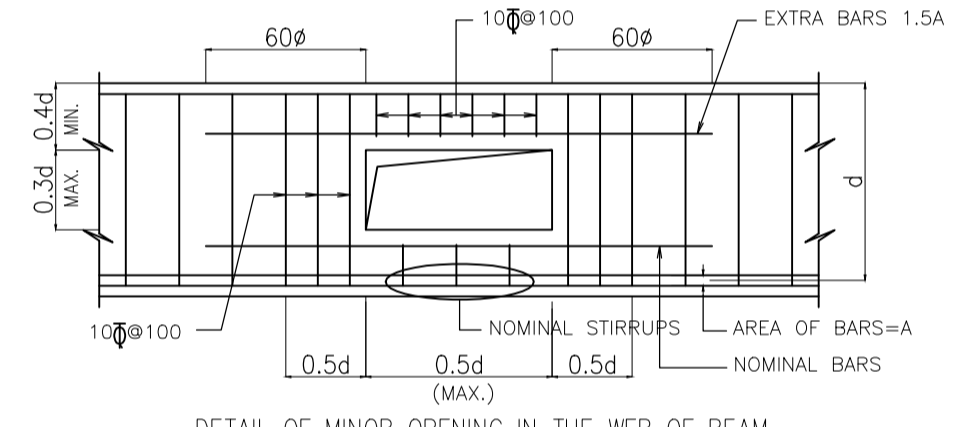
(Ld) DEVELOPMENT LENGTH FOR DEFORMED BARS (IN MM).

(* INCREASE LAP LENGTH BY 20% FOR CRS & EPOXY COATED BARS.)

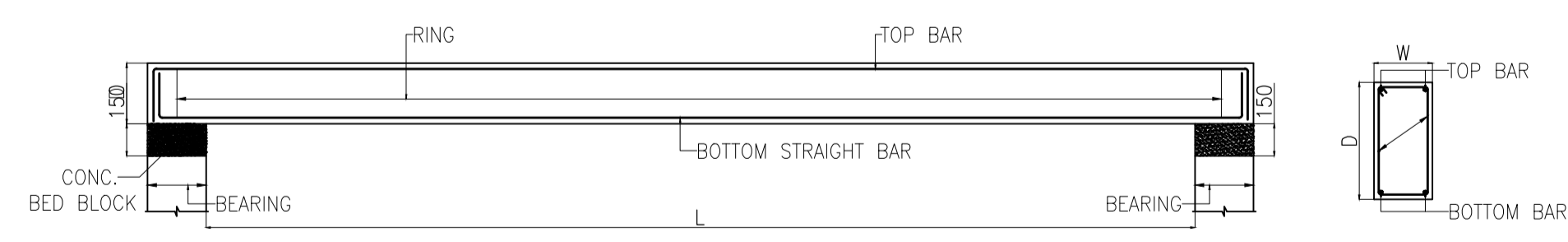
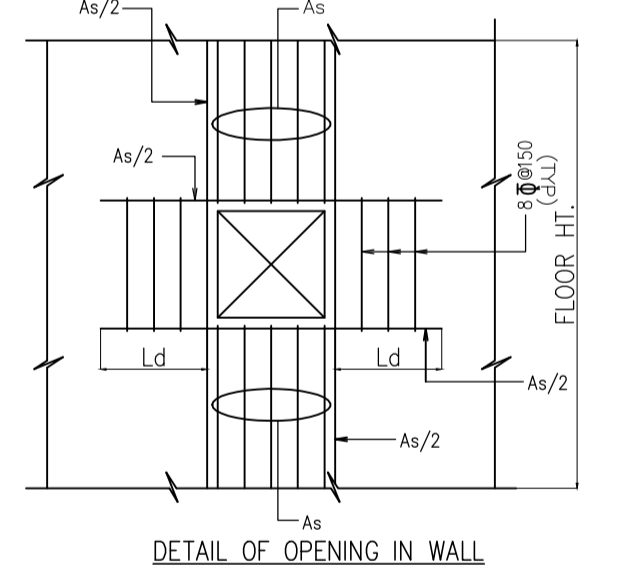


SCHEDULE OF LINTELS

SPAN	FOR BRICK WALL		FOR STONE WALL		BEARING	TOP BARS	BOTT. BARS	RINGS	REMARKS
	WIDTH W	DEPTH D	WIDTH W	DEPTH D					
UP TO 900	115	150			150	2-10	2-10	6 @ 150 c/c	
	230	150	300	150	150	2-10	3-10	6 @ 150 c/c	
	345	150	350/375	150	150	2-10	4-10	6 @ 150 c/c	
FROM 900 TO 1200	115	150			150	2-10	2-12	6 @ 150 c/c	
	230	150	300	150	150	2-10	4-10	6 @ 150 c/c	
	345	150	350/375	150	150	2-10	3-12	6 @ 150 c/c	
FROM 1200 TO 1500	115	230			230	2-10	3-12	6 @ 150 c/c	
	230	230	300	230	230	2-10	4-12	6 @ 150 c/c	
	345	230	350/375	230	230	2-10	4-12	6 @ 150 c/c	
FROM 1500 TO 1800	115	230			230	2-10	2-10	6 @ 150 c/c	
	230	230	300	230	230	2-10	4-12	6 @ 150 c/c	
	345	230	350/375	230	230	2-10	5-12	6 @ 150 c/c	
FROM 1800 TO 2400	115	230			230	2-10	4-12	6 @ 150 c/c	
	230	230	300	230	230	2-10	3-16	6 @ 150 c/c	
	345	230	350/375	230	230	2-12	4-16	6 @ 150 c/c	
	450	230	450	230	230	2-10	4-16	6 @ 150 c/c	



NOTE:- MIN. 4d AWAY FROM FACE OF COLUMN AND AS PER DETAILED DRAWING.



(NOTE CONCRETE COVER 15 TO 25)

ALL DIMENSIONS IN MM.

GENERAL NOTES:-

THESE DETAILS ARE FOR GENERAL INFORMATION AND GUIDANCE ONLY, DETAILS SHOWN ON THE WORKING DRAWING FOR BEAMS, SLAB, COLUMNS AND FOOTING etc. SHALL SUPERCEDE

- READ THIS DRAWING IN CONJUNCTION WITH ALL OTHER RELEVANT ARCHITECTURAL & STRUCTURAL DRAWING. AMBIGUITY IF ANY SHOULD BE BROUGHT TO THE NOTICE OF ARCHITECTS AND ENGINEERS FOR CLARIFICATION.
- ALL DIMENSIONS ARE IN MM AS NOTED.
- ALL CONCRETE WORK SHALL BE AS PER IS: 456-2000 CODE
- ALL CONCRETE SHALL BE MACHINE MIXED AND VIBRATED.
- INDICATES FOR STEEL YIELD STRENGTH 415 N/mm² OR 500 N/mm² AS SPECIFIED.
- ALL FOOTINGS ARE CENTRALLY PLACED ABOUT CENTRE LINE OF PEDESTAL.U.O
7. ALL COVER TO MAIN REINF.(EXCLUSIVE OF PLASTER) SHALL BE AS FOLLOWS:-
a1-ISOLATED FOOTING - MINIMUM 50mm AT BOTTOM & SIDES.
a2-RAFT FOOTING - MINIMUM 50mm ON ALL SIDES
a3-STRIP FOOTING - MINIMUM 50mm ON ALL SIDES
b-FLOORS-ROOFS 25mm FOR BEAMS
20mm FOR SLABS
c-STAIRCASE 20mm
d-COLUMNS 40mm OR DIA OF LONGITUDINAL BAR WHICH EVER IS MORE
8. LAPS LENGTHS FOR REINF.SHALL BE 47XDIA OF BAR FOR M20 LAPS SHALL BE STAGGERED AND NOT MORE THAN 50%OF BARS SHALL BE LAPPED AT ONE PLACE
9. IF SITE ENGINEER IS NOT SATISFIED WITH BEARING STRATA OF FOOTING AT THE INDICATED DEPTH THEN
a-A MAX.OF 1.5 FEET OF DEPTH SHALL BE EXCAVATED FURTHER DEEP SO AS TO GET A GOOD BEARING SOIL & THIS ADDITIONAL DEPTH SHALL BE FILLED UP WITH CONC. OF 1:6:12 MIX
b-IF ADDITIONAL EXCAVATION ALSO DOES NOT REACH A GOOD BEARING STRATA THEN THE MATTER SHOULD BE REFERRED TO THE ARCH/CONSULTING ENGG.
10. ANY DISCREPANCY IN REGARD TO THE ABOVE NOTES SHALL BE POINTED OUT TO THE ARCHITECTS/CONSULTING ENGINEERS
11. DO NOT SCALE THE DRAWING,FOLLOW WRITTEN DIMENSIONS ONLY
12. SAFE BEARING CAPACITY OF SOIL IS TAKEN AS 21 T/m² AT A DEPTH OF 7.0M BELOW NATURAL GROUND LEVEL,(AS PER THE SOIL REPORT GIVEN BY CLIENT)
13. CENTRE LINES OF COLUMN & FOOTINGS SHOULD MATCH UNLESS OTHERWISE SHOWN
14. STRIPPING TIME FOR FORMS:-
a). WALL COLUMNS AND VERTICAL FACES OF ALL STRUCTURAL MEMBERS 24 TO 48 Hrs.
b). SLAB (PROPS LEFT UNDER) 3 DAYS
c). BEAMS SOFFIT (PROPS LEFT UNDER) 7 DAYS
d). REMOVAL OF PROPS UNDER SLABS
1). SPANING UPTO 4.5m. 7 DAYS
2). SPANING UNDER 4.5m. 14 DAYS
e). REMOVAL OF PROPS UNDER BEAMS AND ARCHES
1). SPANING UPTO 6.0m. 14 DAYS
2). SPANING OVER 6.0m. 21 DAYS
15. CUBE TEST
o). FREQUENCY OF SAMPLING
THE MINIMUM FRIQUENCY OF SAMPLING OF CONCRETE OF EACH GRADE SHALL BE IN ACCORDANCE WITH THE FOLLOWING:-
QUANTITY OF CONCRETE IN THE WORK,m³ NUMBER OF SAMPLES
1-5 1
6-15 2
16-30 3
31-50 4
51 AND ABOVE 4 PLUS ONE ADDITIONAL SAMPLE FOR EACH ADDITIONAL 50 m³ OR PART THEREOF
- b). ATLEAST FOUR TEST SPECIMENS SHALL BE MADE FROM EACH SAMPLE FOR TESTING AT 3, 7 AND 28 DAYS AND SHOULD BE TESTED AS DESCRIBED IN IS:516 LATEST CODE.
16. PROVIDE UPWARD CAMBER IN CANTILEVERS BEAMS (SPAN<1.0m) OF L/150 @ END AND IN OTHER BEAMS (SPAN GREATER THAN 3.5m) L/200 @ CENTER OF SPAN U.O.
17. CONSTRUCTION JOINT SHALL BE PROVIDED ONLY WITH PRIOR APPROVAL OF THE CONSULTING ENGINEER. CONSTRUCTION JOINT IF REQUIRED SHALL BE VERTICAL IN BEAMS & SLABS & HORIZONTAL IN COLUMNS. LAITANCE & CEMENT SLURRY SHALL BE CLEANED OUT USING WIRE BRUSH ON THE SURFACE OF JOINT IMMEDIATELY AFTER INITIAL SETTING OF CONCRETE. THE PREPARED SURFACE SHOULD BE APPLIED WITH BONDING AGENT AS PER MANUFACTURERS SPECIFICATIONS BEFORE FRESH CONCRETE IS PLACED AGAINST IT.
18. IF DEPTH OF BEAM BELOW SLAB EXCEEDS 750mm. PROVIDE 0.1% OF WEB AREA AS SIDE FACE REINF. EQUALLY DIVIDED ON EACH FACE. SPACING NOT TO EXCEED 300MM OR WIDTH WHICHEVER IS LESS. IN CURVED BEAMS PROVIDE ABOVE SIDE FACE REIN. IF DEPTH OF WEB EXCEEDS 450mm.
19. ALL TEST RESULTS OF CONCRETE & REINFORCEMENT TO BE SUBMITTED PERIODICALLY TO THE CONSULTING ENGINEER.

01. This drawing is the property of M/s AMALGAMX CONSULTING PVT. LTD. who reserve all copyrights. No part of this drawing shall be used for construction without the written consent of M/s AMALGAMX CONSULTING PVT. LTD.

PRINT DATA	
NO	ISSUED TO
00	CLIENT
01	

REVISION		ARCHITECTS		ENGINEERS	
NO	DATE	DESCRIPTION	DRN	RD	

ARCHITECTS
M/s AMALGAMX CONSULTING PVT. LTD.
C-10, SECTOR-3, NOIDA
TEL: 012-4601000, FAX: 0120-4601010
E-MAIL: dfaconsultants@gmail.com

ENGINEERS
M/s OSWAL WOOLLEN MILLS LTD.
ON G.T. ROAD SHERPUR, LUDHIANA

DRAWING NO:-	
PROJECT:	REVISION
M/S OSWAL WOOLLEN MILLS LTD. ON G.T. ROAD SHERPUR, LUDHIANA	S-01-00
TITLE: GENERAL NOTES AND DETAILS	JOB NO. 2010-05