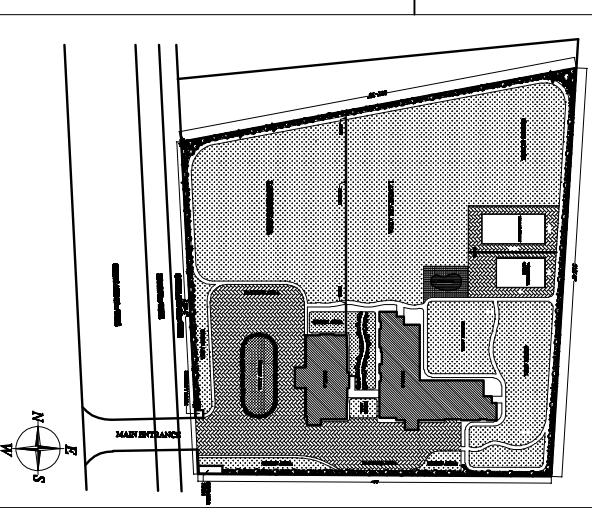


THIS DRAWING IS THE PROPERTY OF
D-DESIGN PLUS & SHALL NOT BE
 USED OR COPIED IN ANY WAY
 WITHOUT THEIR PERMISSION.

PROJECT :-

**MIND HOSPITAL
 VILLAGE RAUL,
 DORAHA, LUDHIANA.**

KEY PLAN



TITLE :-
**JOINERY DETAIL
 (BLOCK -B)**

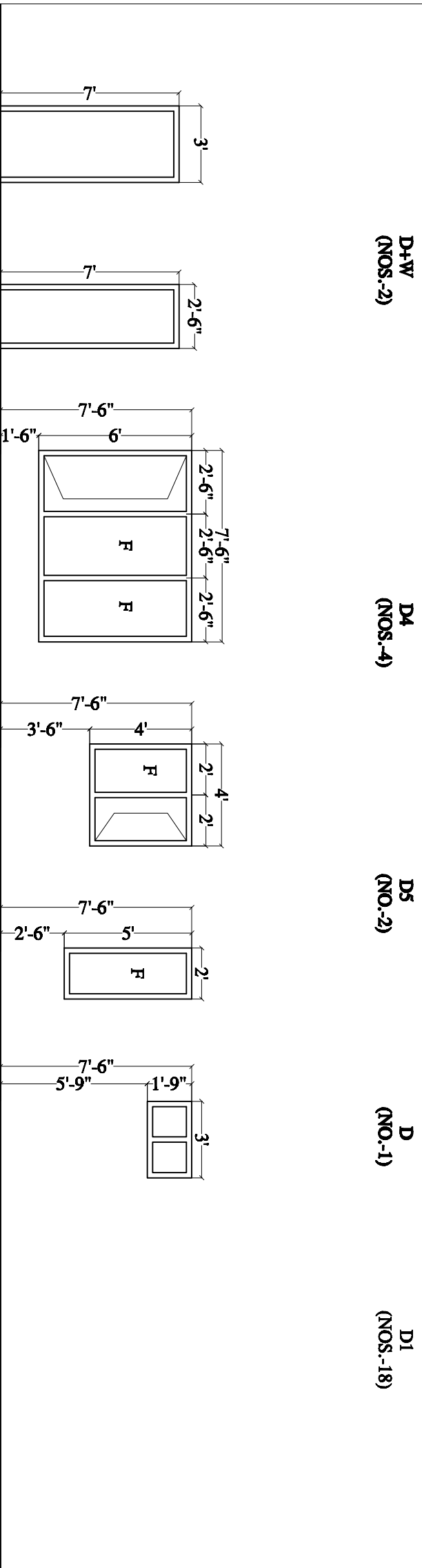
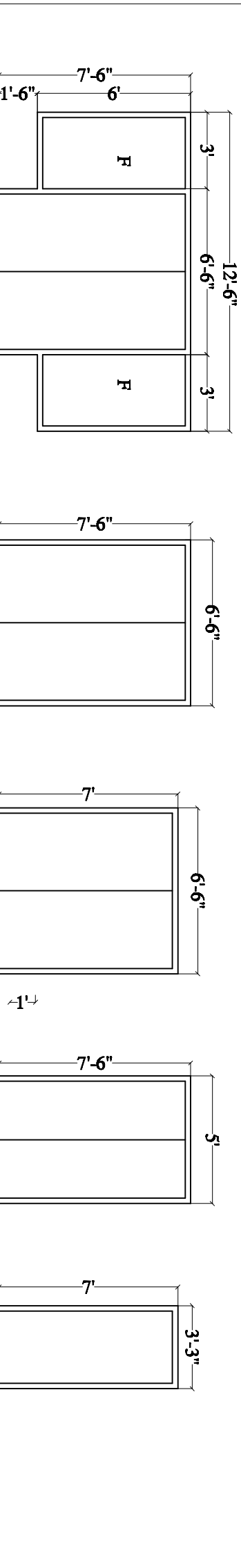
DRAWN BY :- PRABHIT KAUR

REV. DATE:- 20-02-2014

SCALE:- NOT TO SCALE



ARCHITECTS AND CONSULTANTS
D-DESIGN PLUS
 At: D. P. SINGH
 OFFICE : B-1, 4TH FLOOR,
 NOBLE ENCLAVE,
 OPP. PARK PLAZA,
 LUDHIANA,
 PH. NO. :0161-6577597



D2
(NO-1)

D3
(NOS-20)

W
(NOS-19)

W1
(NOS-4)

W3
(NOS-4)

V
(NOS-20)

D+W
(NOS-2)

D4
(NOS-4)

D5
(NO-2)

D
(NO-1)

D1
(NOS-18)