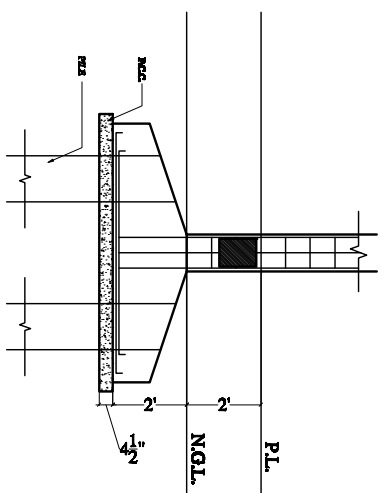
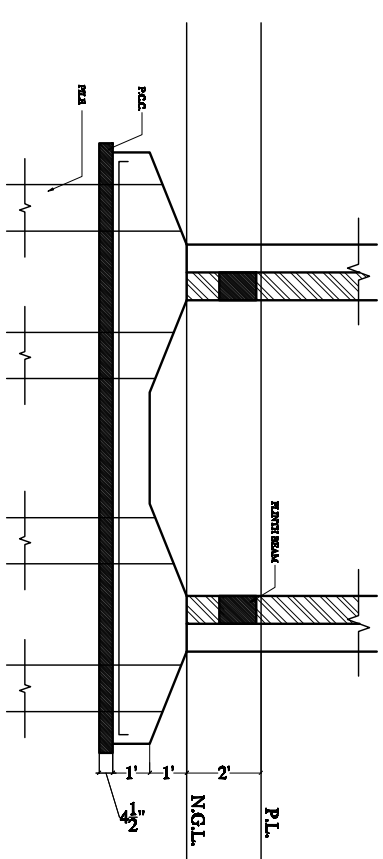


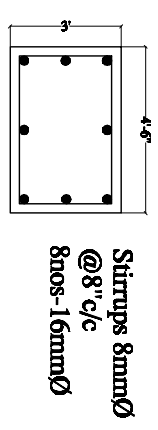
COLUMN DETAIL



SECTION



SECTION



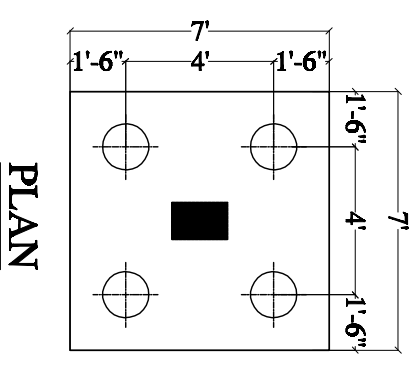
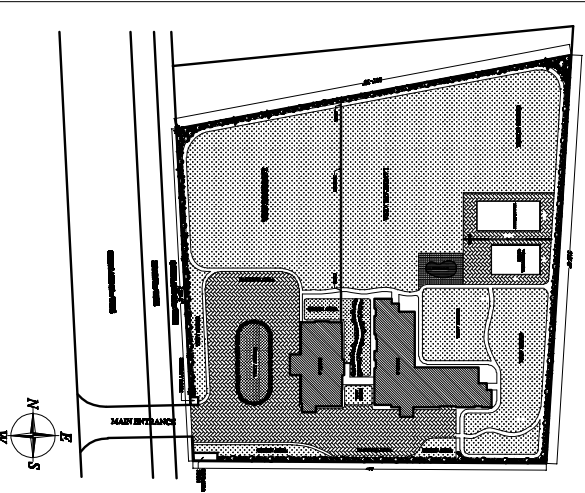
COLUMN DETAIL

THIS DRAWING IS THE PROPERTY OF D-DESIGN PLUS & SHALL NOT BE USED OR COPIED IN ANY WAY WITHOUT THEIR PERMISSION.

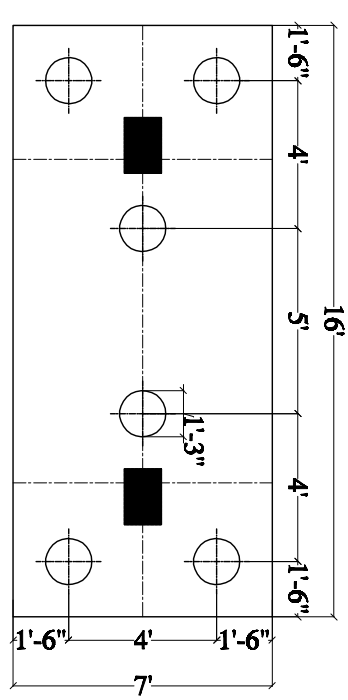
PROJECT :-

**MIND HOSPITAL
VILLAGE RAUL,
DORAHA, LUDHIANA.**

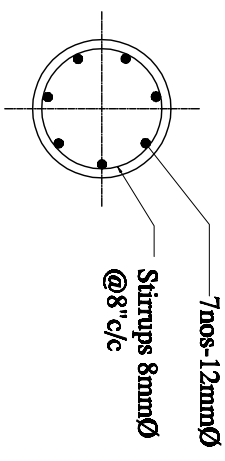
KEY PLAN



PLAN



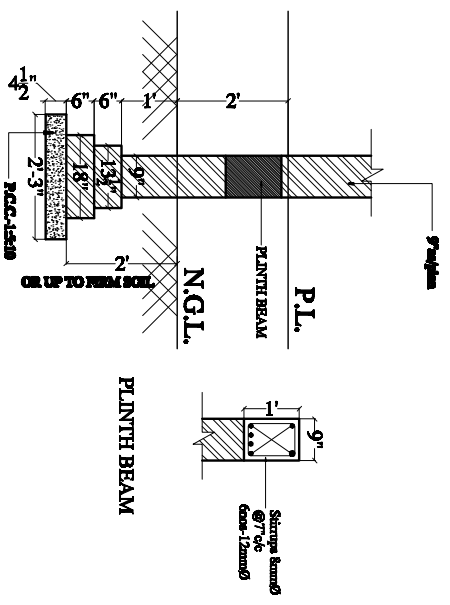
PLAN



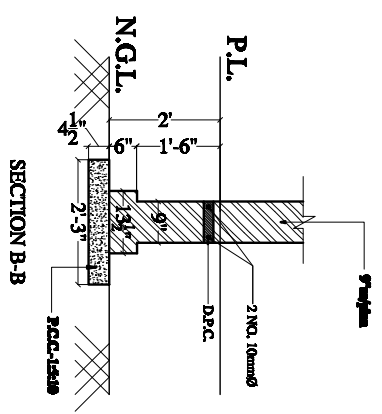
PILE DETAIL

Pile Diameter - 400mm
Pile Depth - 4.5m

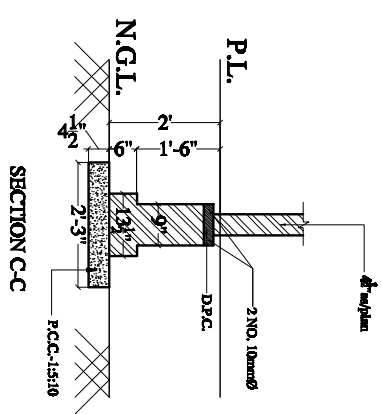
WALL DETAIL



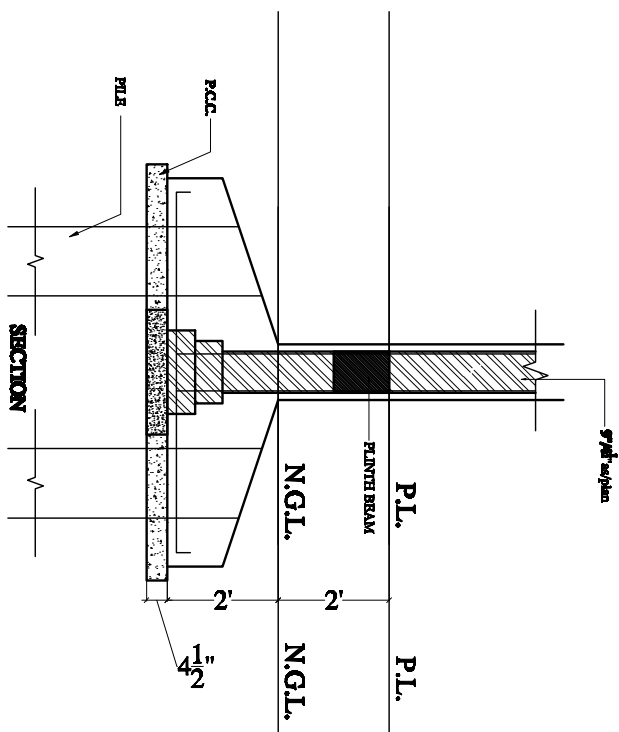
SECTION



SECTION B-B



SECTION C-C



SECTION

TITLE :-
FOUNDATION DETAILS

DRAWN BY :- PRABHIT KAUR

REV. DATE:- 28-12-2013

SCALE:- NOT TO SCALE



ARCHITECTS AND CONSULTANTS
D-DESIGN PLUS
At: D.P SINGH
OFFICE : B-1, 4TH FLOOR,
NOBLE ENCLAVE,
OPF. PARK PLAZA,
LUDHIANA,
PH. NO. : 0161-6577597