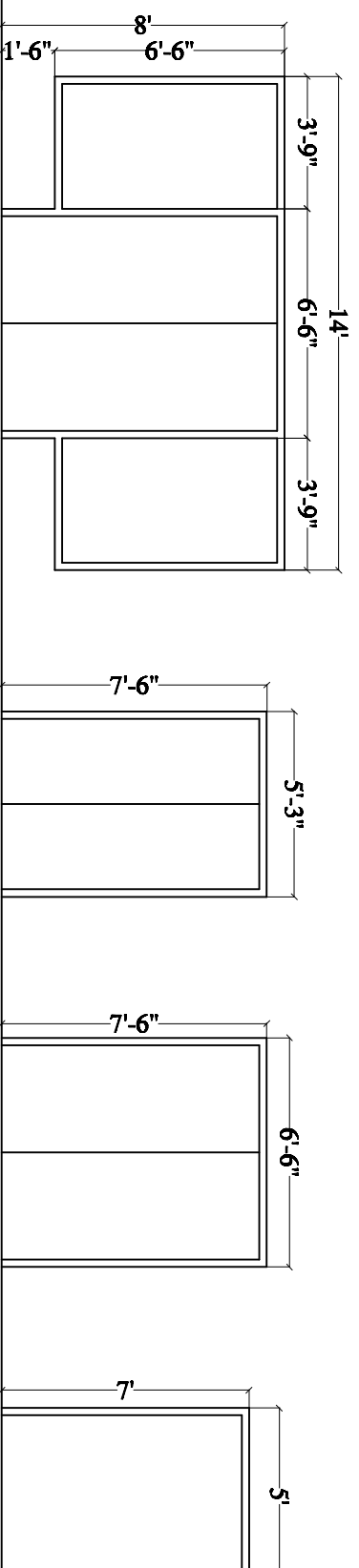
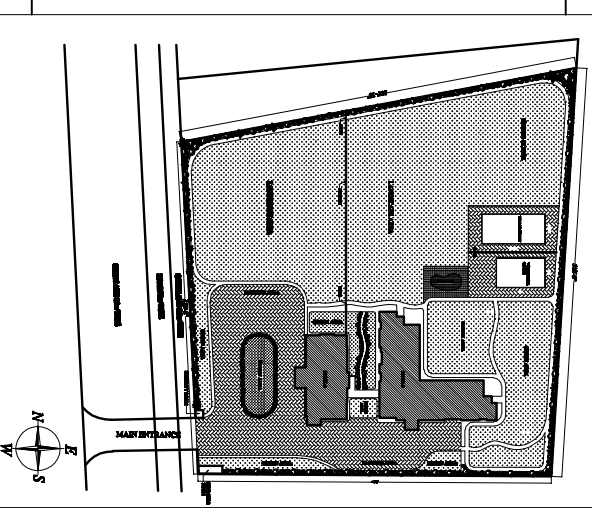


THIS DRAWING IS THE PROPERTY OF
D-DESIGN PLUS & SHALL NOT BE
 USED OR COPIED IN ANY WAY
 WITHOUT THEIR PERMISSION.

PROJECT :-

**MIND HOSPITAL
 VILLAGE RAUL,
 DORAHHA, LUDHIANA.**

KEY PLAN

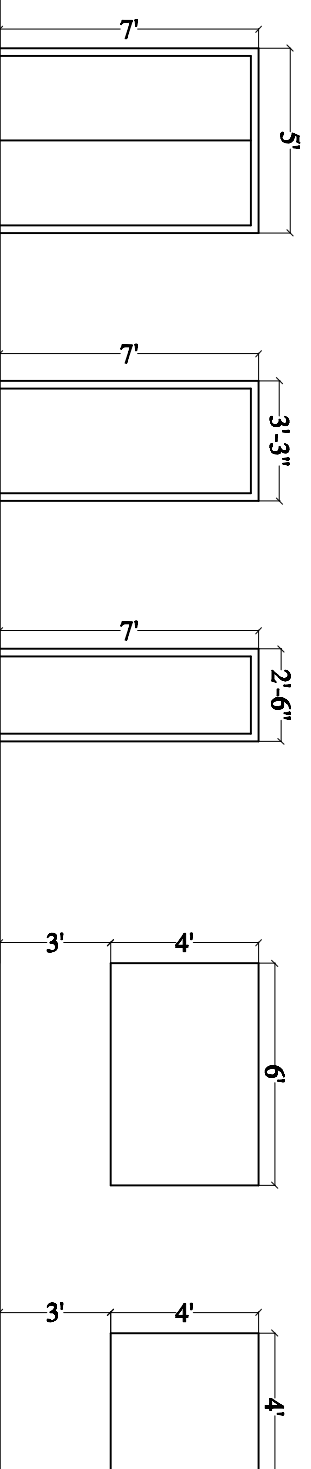


D+W
(NO.-1)

DR
(NO.-1)

D
(NO.-1)

D1
(NO.-1)



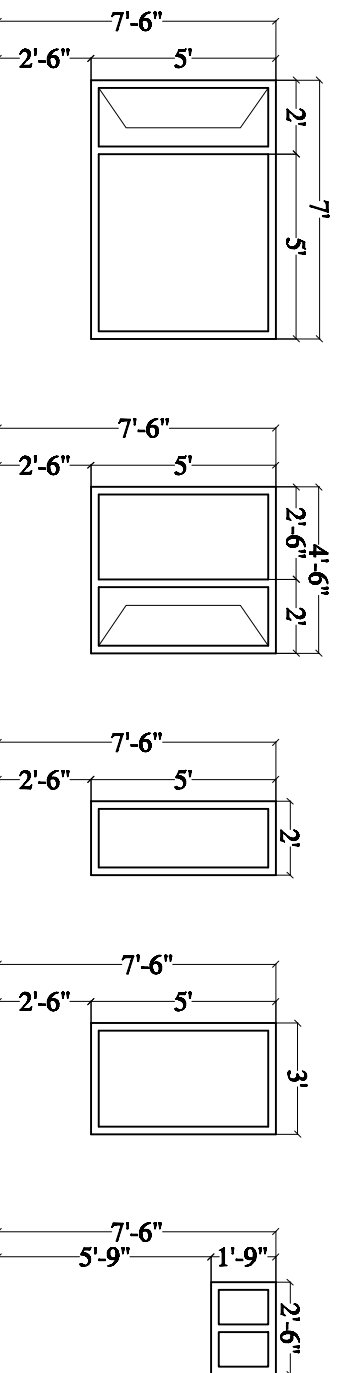
D2
(NO.-1)

D3
(NOS.-7)

D4
(NOS.-10)

O1
(NO.-1)

O2
(NO.-1)



W
(NOS.-10)

W1
(NOS.-2)

W2
(NOS.-2)

W3
(NOS.-5)

V
(NOS.-7)

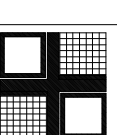
TITLE :-
**JOINERY DETAIL
 (BLOCK -A)**

DRAWN BY :- PRABHIT KAUR

REV. DATE:- 14-03-2014

SCALE:- NOT TO SCALE

DRG. NO. - 004



**ARCHITECTS AND CONSULTANTS
 D-DESIGN PLUS
 At. D. P. SINGH**

OFFICE : B-1, 4TH FLOOR,
 NOBLE ENCLAVE,
 OPR. PARK PLAZA,
 LUDHIANA,
 PH. NO. : 0161-6577597