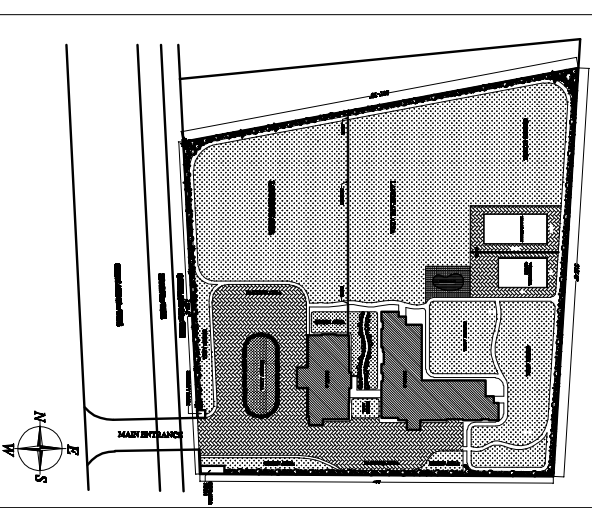


THIS DRAWING IS THE PROPERTY OF
D-DESIGN PLUS & SHALL NOT BE
 USED OR COPIED IN ANY WAY
 WITHOUT THEIR PERMISSION.

PROJECT :-

**MIND HOSPITAL
 VILLAGE RAUL,
 DORAHA, LUDHIANA.**

KEY PLAN



TITLE :-
 WALL DETAIL SECTION - A,B,C,D,E
 (BLOCK -A)

DRAWN BY :- PRABHIT KAUR

REV. DATE:- 21-02-2014

SCALE:- NOT TO SCALE

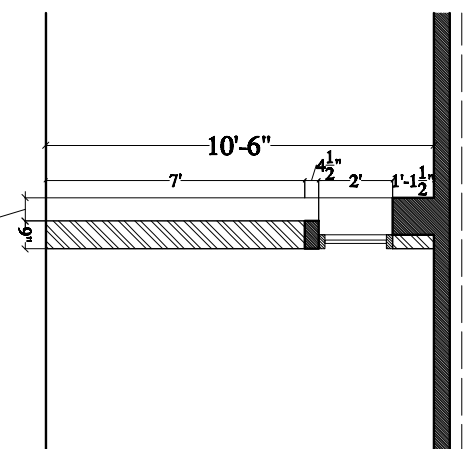
DRG. NO. - 007



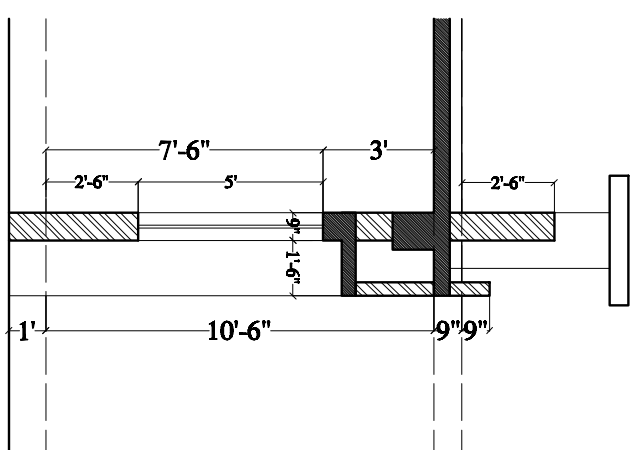
ARCHITECTS AND CONSULTANTS
D-DESIGN PLUS

At: D. P SINGH

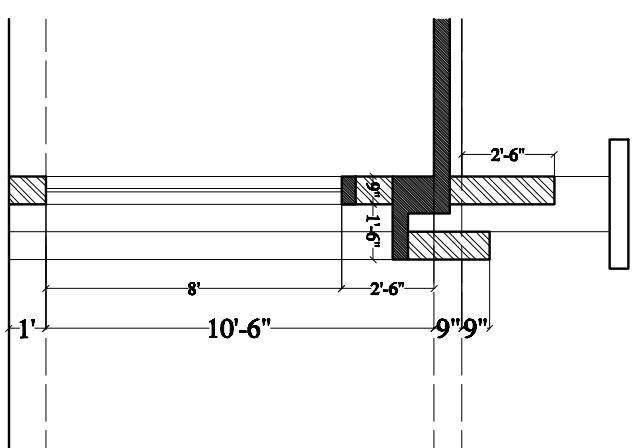
OFFICE : B-1, 4TH FLOOR,
 NOBLE ENCLAVE,
 OPP. PARK PLAZA,
 LUDHIANA,
 PH. NO. :0161-6577597



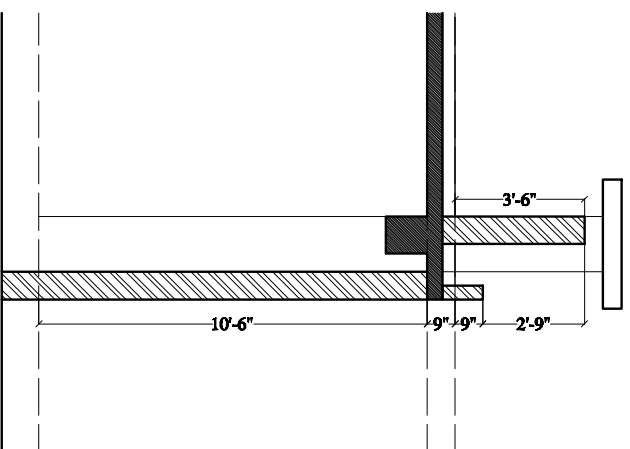
SECTION A-A



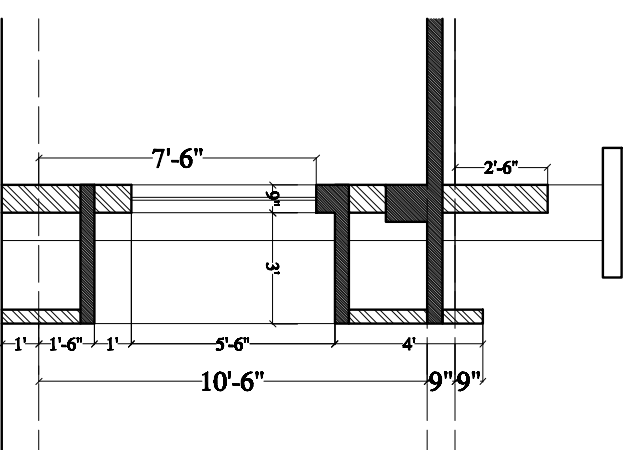
SECTION B-B



SECTION C-C



SECTION D-D



SECTION E-E