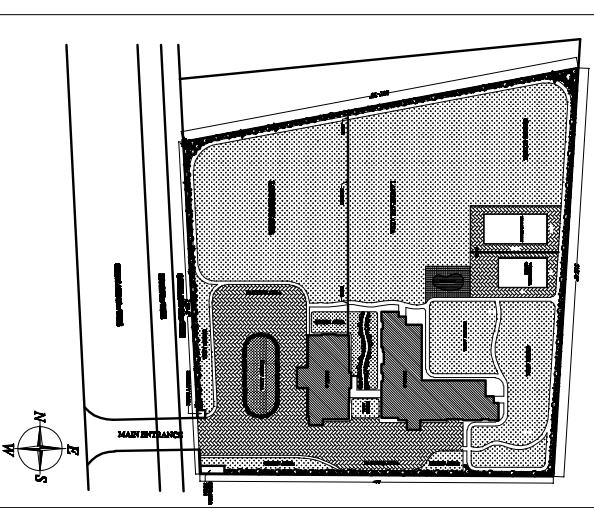


THIS DRAWING IS THE PROPERTY OF
D-DESIGN PLUS & SHALL NOT BE
 USED OR COPIED IN ANY WAY
 WITHOUT THEIR PERMISSION.

PROJECT :-

**MIND HOSPITAL
 VILLAGE RAUL,
 DORAHA, LUDHIANA.**

KEY PLAN



TITLE :-
 WALL DETAIL SECTION - F,G,H,I
 (BLOCK -A)

DRAWN BY :- PRABHIT KAUR

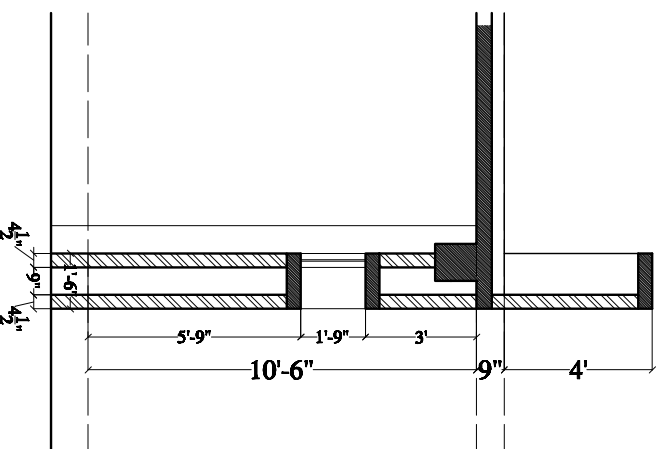
REV. DATE:- 21-02-2014

SCALE:- NOT TO SCALE

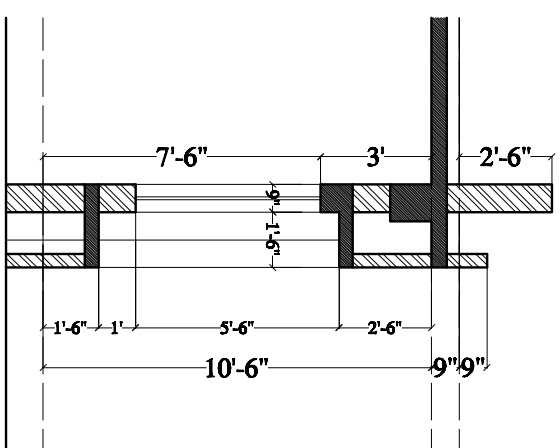
DRG. NO. - 008



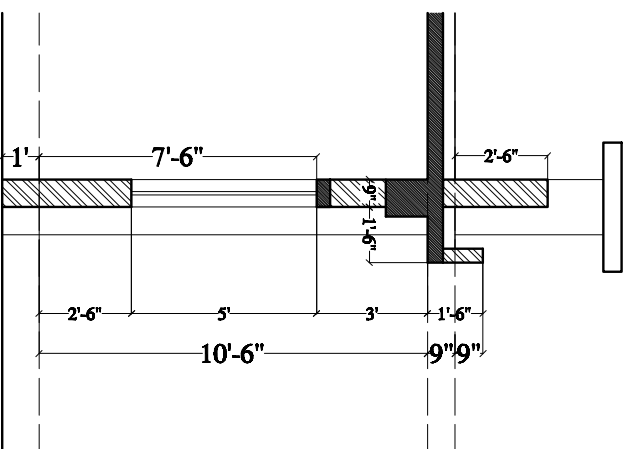
ARCHITECTS AND CONSULTANTS
D-DESIGN PLUS
 At. D. P. SINGH
 OFFICE : B-1, 4TH FLOOR,
 NOBLE ENCLAVE,
 OPP. PARK PLAZA,
 LUDHIANA,
 PH. NO. : 0161-6577597



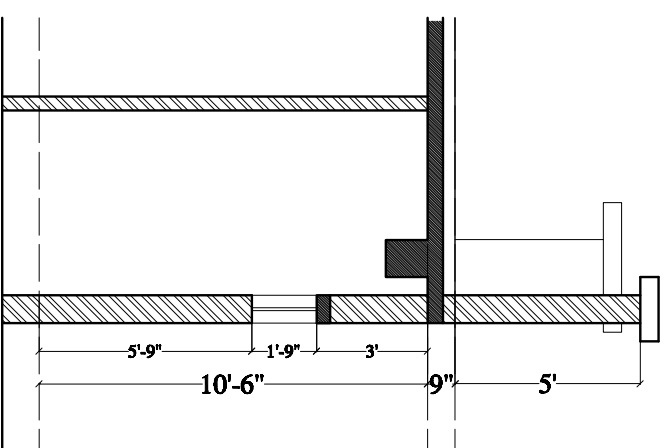
SECTION F-F



SECTION G-G



SECTION H-H



SECTION I-I