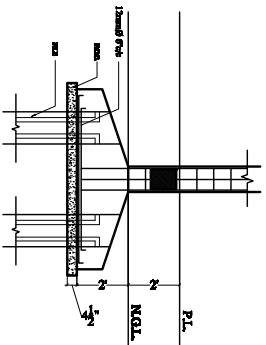
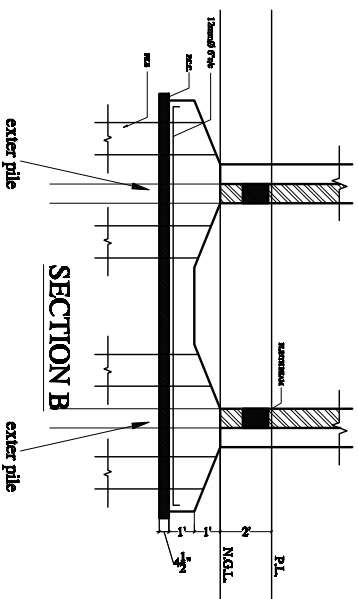


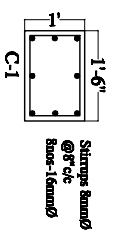
COLUMN DETAIL



SECTION A

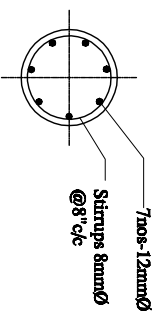


SECTION B



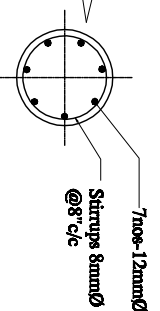
COLUMN DETAIL

PILE DETAIL B

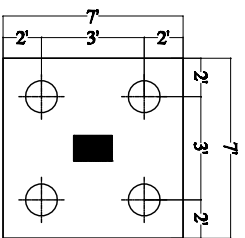


Pile Diameter - 400mm
Pile Depth - 5.5m
With Double Bulb

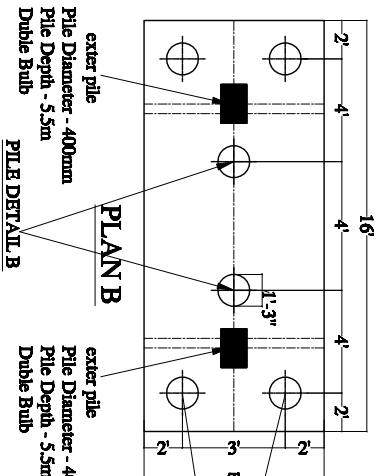
PILE DETAIL A



Pile Diameter - 400mm
Pile Depth - 4.5m
With Bulb



PLAN A

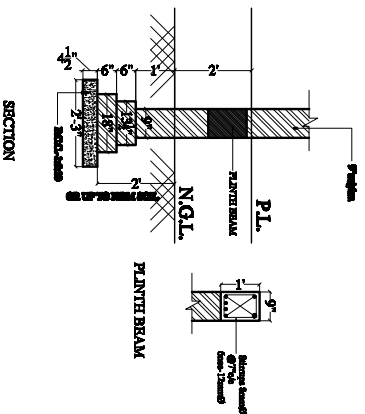


PLAN B

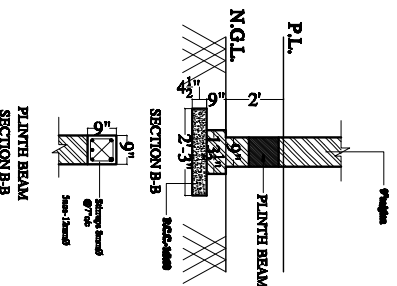
exterior pile
Pile Diameter - 400mm
Pile Depth - 5.5m
Double Bulb

PILE DETAIL B

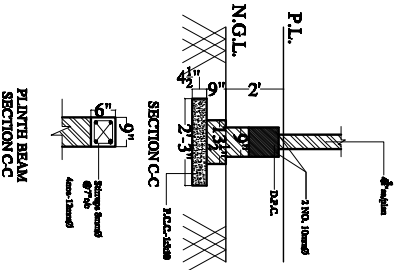
WALL DETAIL



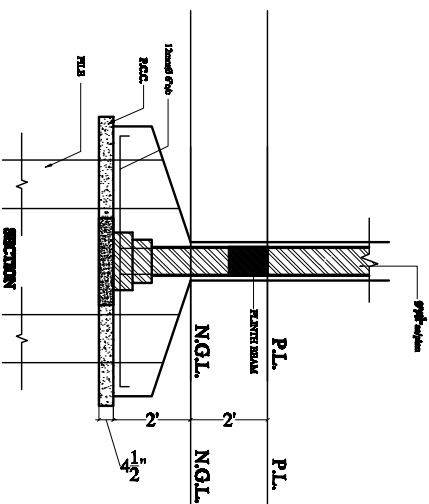
SECTION



PLANTER BEAM
SECTION B-B



PLANTER BEAM
SECTION C-C



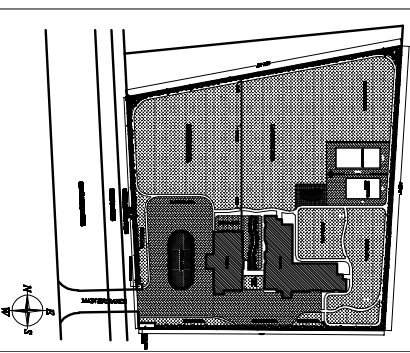
SECTION

THIS DRAWING IS THE PROPERTY OF
D-DESIGN PLUS & SHALL NOT BE
USED OR COPIED IN ANY WAY
WITHOUT THEIR PERMISSION.

PROJECT :-

**MIND HOSPITAL
VILLAGE RAUL,
DORAHA, LUDHIANA.**

KEY PLAN



TITLE :-
REV/DWG/SITE
BLOCK (B)

DRAWN BY :- PRABHJIT KAUR

REV. DATE:- 28-12-2013

SCALE:- NOT TO SCALE

**ARCHITECTS AND CONSULTANTS
D-DESIGN PLUS
AT. D.P SINGH**

OFFICE :- B-1, 4TH FLOOR,
NOBLE ENCLAVE,
OPP. PARK PLAZA,
LUDHIANA,
PUNJ. PHL NO. 0161-6577997