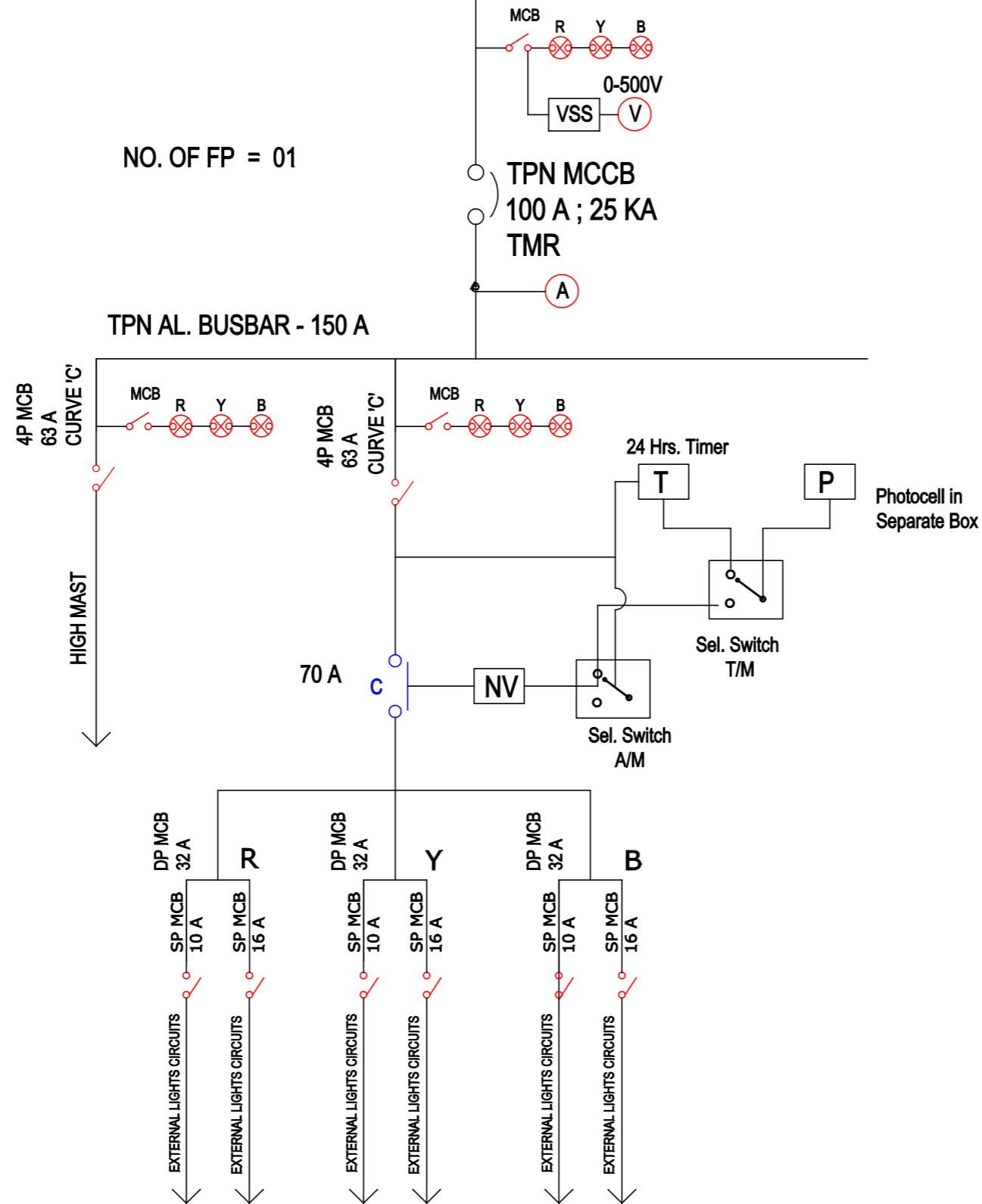


I/C CABLE 3.5c x 50 sqmm AL. COND.
Armed FROM MAIN L.T PANEL

NO. OF FP = 01

TPN AL. BUSBAR - 150 A



LEGEND	SAFETY / INDICATION DEVICES
	(MCB ,SP/TP/4P) MINITURE CIRCUIT BREAKER
	(MCCB ,TPN/4P) MOULDED CASE CIRCUIT BREAKER
	INDICATION LAMP
	DG SET
	HT/LT TRANSFORMER
	CONTACTOR ,TP/4P
	(ACB ,TPN/4P) AIR CIRCUIT BREAKER
	(TP/TPN) MOTOR PROTECTION CIRCUIT BREAKER WITH BUILT IN THERMAL O/L RELEASE VARIABLE
	11KV GO SWITCH WITH DROP OUT FUSES
	MULTI FUNCTION METER
	AUTO MANUAL SWITCH
	RCCB/ ELCB -(TPN/DP)
	START / STOP PUSH BUTTON
	MOTOR - KW
	DUAL ENERGY METER (TO READ SEB / DG POWER CONSUMPTION)
	PER PHASE ISOLATION WITH SEPARATE 'N' FOR EACH PHASE
	VOLTMETER WITH SELECTOR SWITCH
	AMMETER WITH SELECTOR SWITCH
	NOVOLT COIL 230 V; 50 C/S AC
	3 POS. SELECTOR SWITCH ; AUTO MANUAL / OFF

PROJECT:
UNDER GROUND PARKING FOR
IMPROVEMENT TRUST AMRITSAR

SHEET TITLE:
OUTDOOR FP AUTO / MANUAL CONTROL
EXTERNAL LIGHTING

DRG.NO. SLD-11
DATE: 02.05.2013
REVISION:

ENGINEER:

BALWINDER SINGH ENGG. CONSULTANTS

OFFICE:24/8,INDUSTRIAL AREA,PHASE-II,CHANDIGARH
BRANCH OFFICE:W2/313,TEACHERS COLONY,HIRA MAHAL,NABHA.
PHONE NO.9872455534,9501105681

