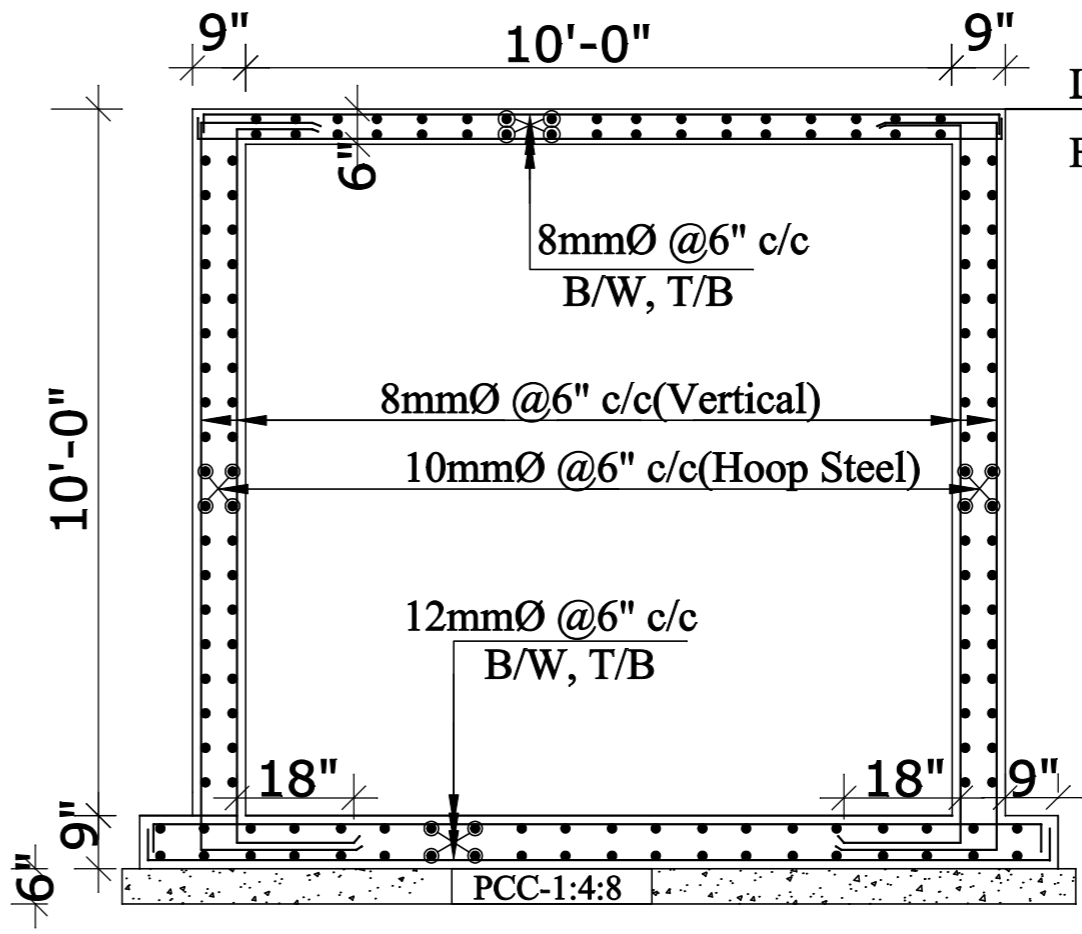


PLAN



SECTION AT A-A

LOWER BASEMENT
FLOOR LVL.

PROJECT:

STRUCTURAL PLAN FOR
DURGIANA MANDIR
AT AMRITSAR

CONCEPT APPROVAL ADVANCE COPY GOOD FOR CONSTRUCTION

GENERAL NOTES
REFER DRAWING NO.-01

TITLE:
SUMP DETAILS


DRG. NO.
ST-14

ENGINEER:
Er. PANKAJ NANDA

OWNER:

DATE:-17- JULY- 2013
DEALT BY: MOHAN DAHIYA
CHECKED BY: PANKAJ NANDA

NOTE : THIS DRAWING IS THE PROPERTY OF
Er. PANKAJ NANDA AND MAY NOT BE COPIED
OR USED FOR ANY OTHER PURPOSE OTHER
THAN FOR WHICH IT IS ISSUED.

 **STRUCTURAL CONSULTANT**
Er. PANKAJ NANDA (M.E.STRUCTURE)
HOUSE NO-23,SECTOR -16
PANCHKULA.