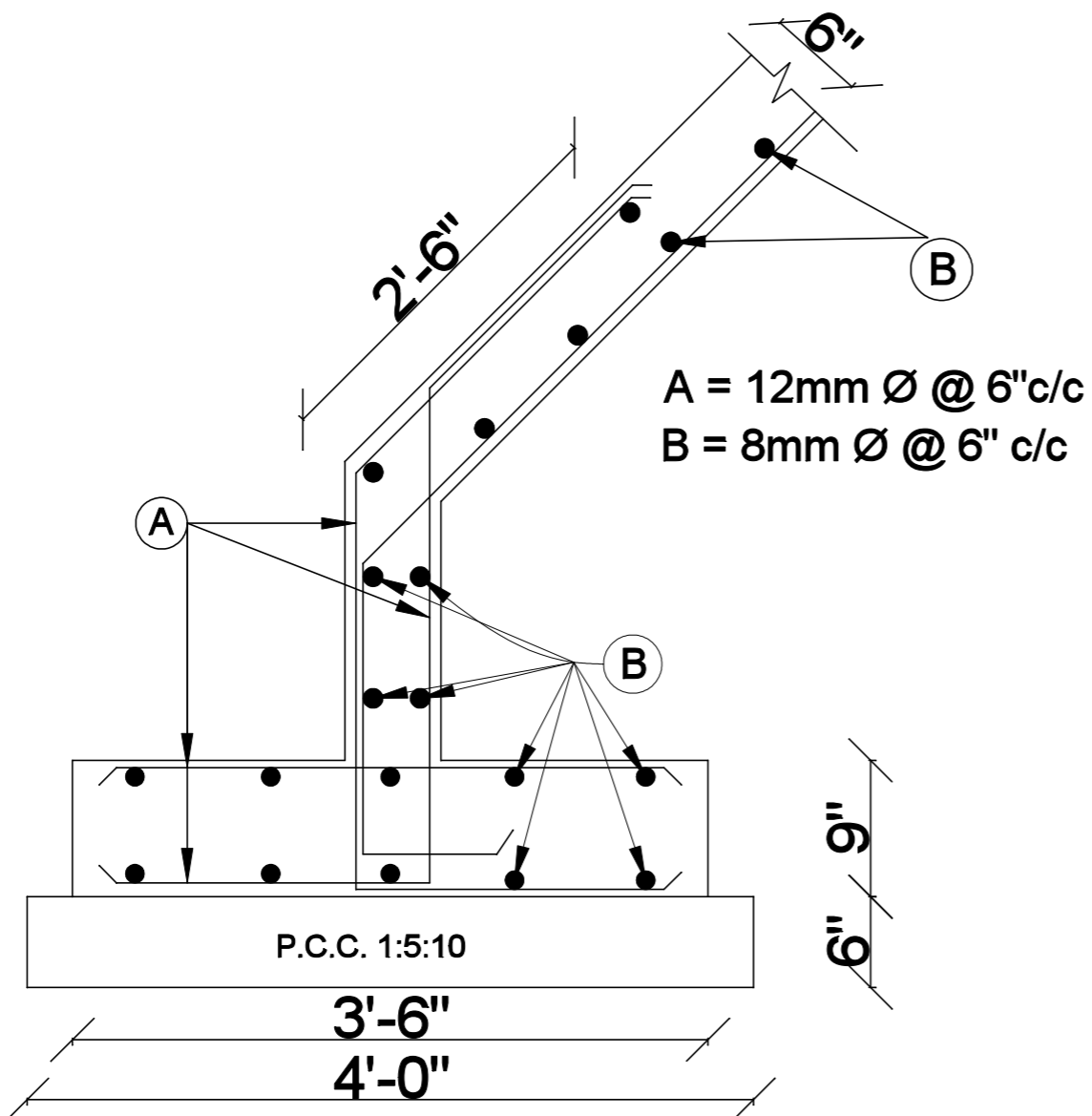


1 2 3 4 5 6 7 8 9

1  
2  
3  
4  
5



SECTION AT Y-Y

MAIN BARS	BARS - 1 to 6- 16mm Ø a - 8mm Ø @ 6" c/c	
TIES		
FLOORS		
COLUMNS		
COL. SIZE		9"Ø
COL. NO.		<u>CX</u>
GRADE	M25	

1  
2  
3  
4  
5

1 2 3 4 5 6 7 8 9

**PROJECT:**  
  
STRUCTURAL PLAN FOR  
SHOPS OF DURGIANA MADIR

CONCEPT     APPROVAL     ADVANCE COPY     GOOD FOR CONSTRUCTION

**GENERAL NOTES**  
REFER DRAWING NO.-01

**TITLE:**  
FOUNDATION  
DETAILS  
BLOCK - D

DRG. NO.  
**ST-10 a**

ENGINEER:  
Er. PANKAJ NANDA

OWNER:

DATE: -13-JULY- 2013

DEALT BY: MOHAN DAHIYA

CHECKED BY: PANKAJ NANDA

NOTE : THIS DRAWING IS THE PROPERTY OF Er. PANKAJ NANDA AND MAY NOT BE COPIED OR USED FOR ANY OTHER PURPOSE OTHER THAN FOR WHICH IT IS ISSUED.

**STRUCTURAL CONSULTANT**  
Er. PANKAJ NANDA (M.E.STRUCTURE)  
HOUSE NO-23, SECTOR -16  
PANCHKULA.