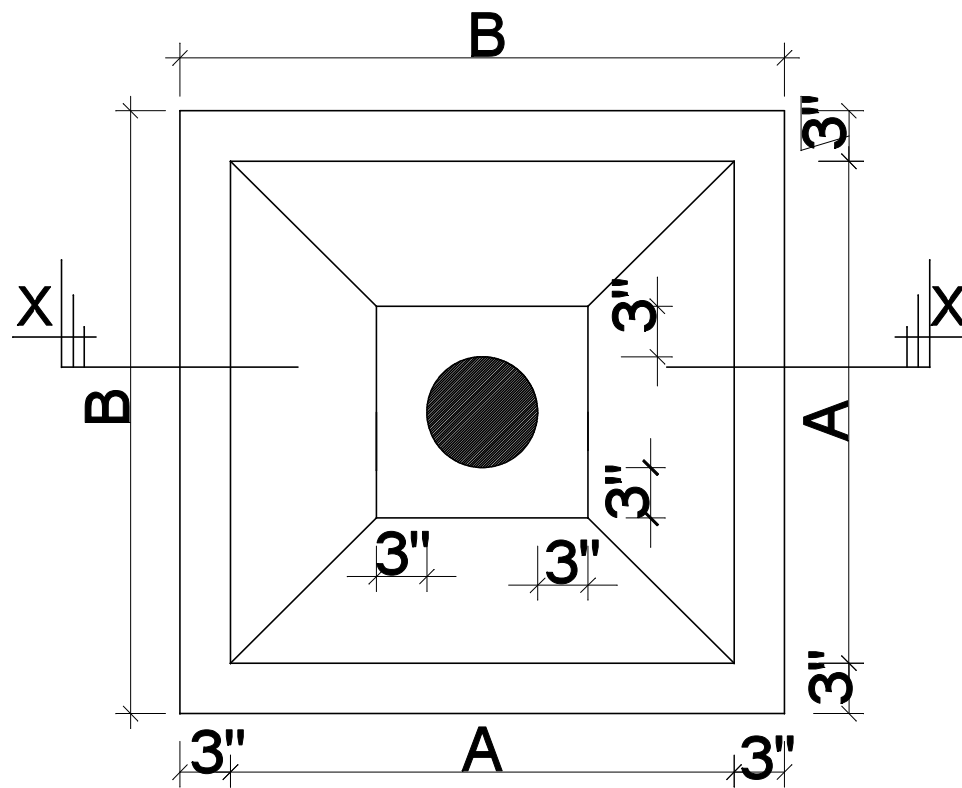
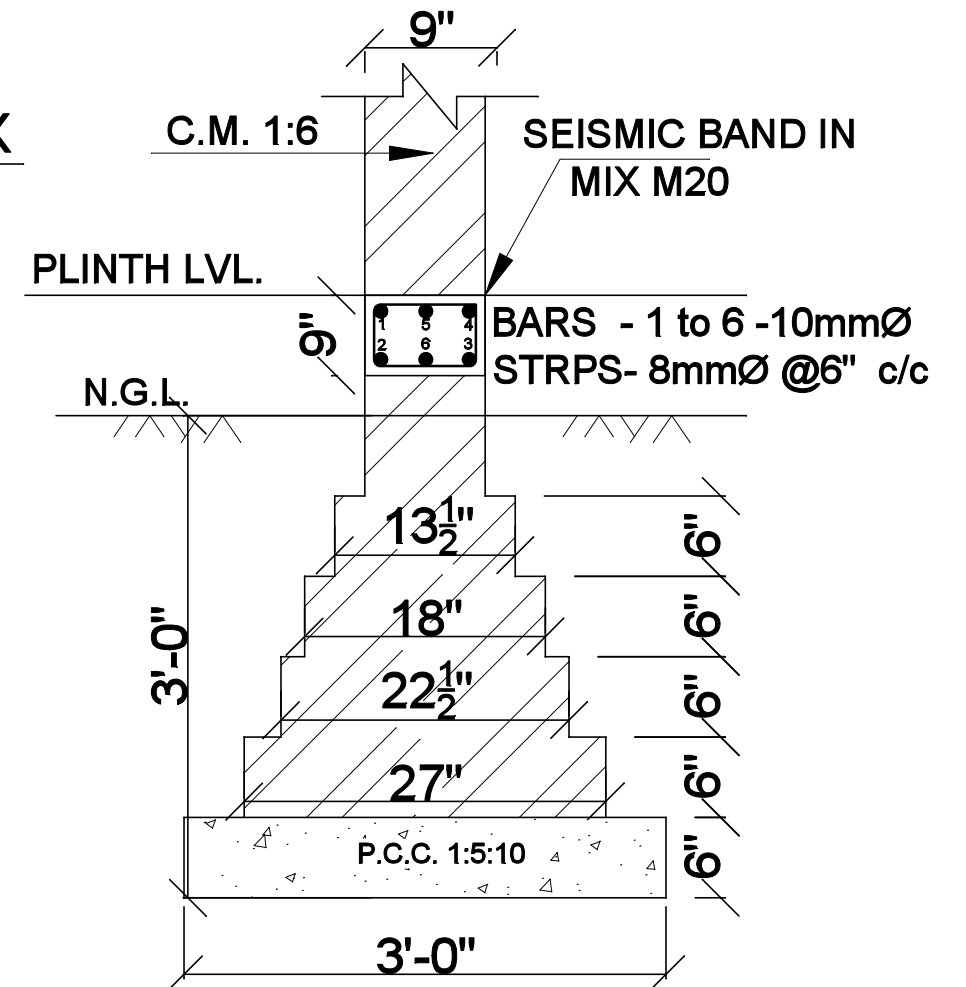


TYPICAL SECTION OF COLUMN



PLAN FOR FIG - I



W1(9" THK. WALL)

FOUNDATION CHART FOR CONCENTRIC FOOTING REF FIG - I

COL. NO.	A	B	'X'	'M'
CX	4'-0"	4'-6"	8"	10mmØ@5 ¹ / ₂ " C/C B/W

PROJECT:

STRUCTURAL PLAN FOR SHOPS OF DURGIANA MADIR

CONCEPT APPROVAL ADVANCE COPY GOOD FOR CONSTRUCTION

GENERAL NOTES
REFER DRAWING NO.-01

TITLE:
FOUNDATION DETAILS
BLOCK - D

DRG. NO.
ST-10

ENGINEER:
Er. PANKAJ NANDA

OWNER:

DATE:-13-JULY- 2013

DEALT BY: MOHAN DAHIYA

CHECKED BY:PANKAJ NANDA

NOTE : THIS DRAWING IS THE PROPERTY OF Er. PANKAJ NANDA AND MAY NOT BE COPIED OR USED FOR ANY OTHER PURPOSE OTHER THAN FOR WHICH IT IS ISSUED.

STRUCTURAL CONSULTANT
Er. PANKAJ NANDA (M.E.STRUCTURE)
HOUSE NO-23,SECTOR -16
PANCHKULA.