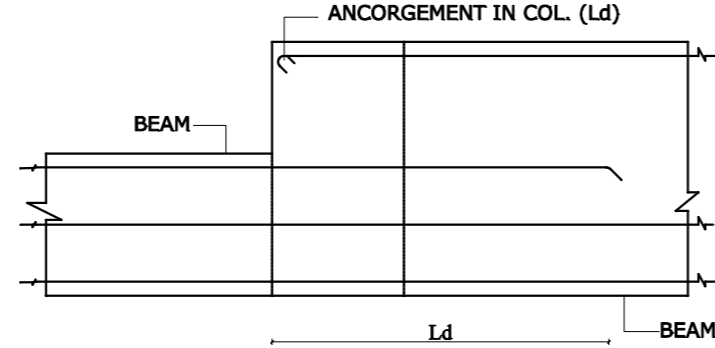
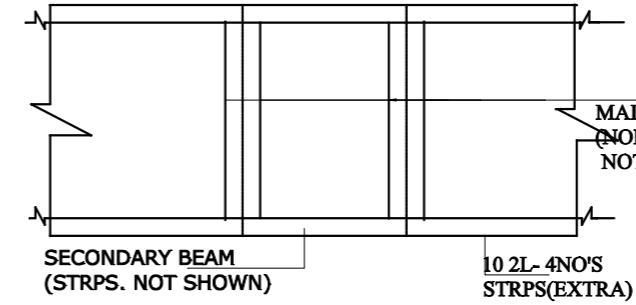


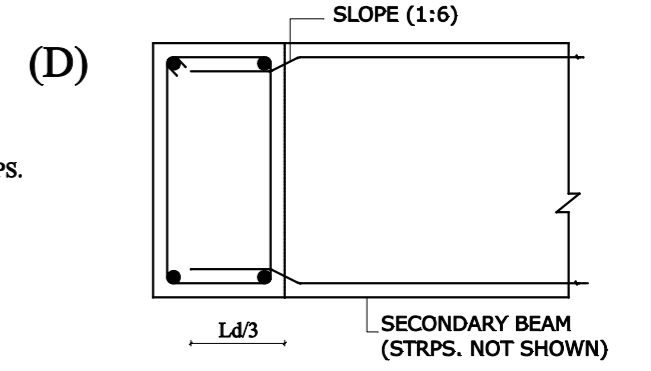
(A) JUNC. OF BEAMS DIFFERENT FACES OF COL.-PLAN



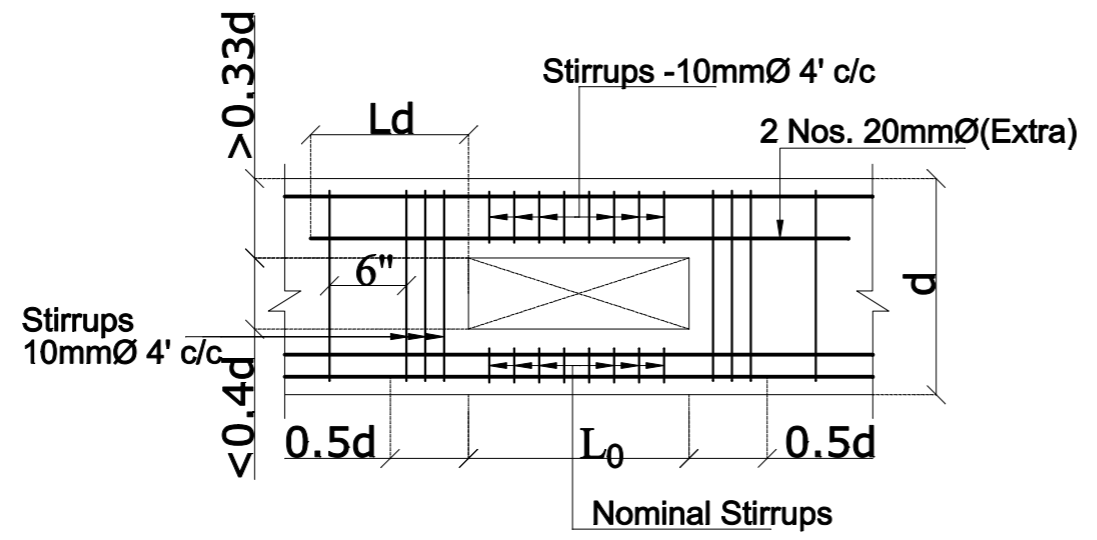
(B) JUNC. OF COL. & BEAMS OF DIFFERENT WIDTH -PLAN



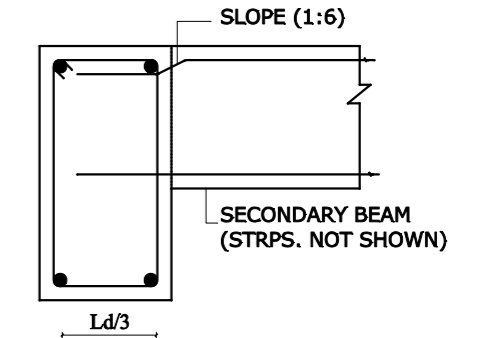
(C) JUNC. OF MAIN & SEC. BEAM



(D) JUNC. OF MAIN & SEC. BEAM (EQUAL DPTHHS)



TYPICAL SLEEVE DETAILS



(E) JUNC. OF MAIN & SEC. BEAM (UNEQUAL DPTHHS)

PROJECT:
STRUCTURAL PLAN FOR DURGIANA MANDIR COMPLEX AMRITSAR

CONCEPT
 APPROVAL
 ADVANCE COPY
 GOOD FOR CONSTRUCTION

GENERAL NOTES
 REFER DRAWING NO.-01

TITLE: beam detail

DRG. NO. **ST-09 b**

ENGINEER:
 Er. PANKAJ NANDA

OWNER:

DATE:-12-July- 2013

DEALT BY: MOHAN DAHIYA

CHECKED BY: PANKAJ NANDA

NOTE : THIS DRAWING IS THE PROP OF Er. PANKAJ NANDA AND MAY NOT COPIED OR USED FOR ANY OTHER PURPOSE OTHER THAN FOR WHICH ISSUED.

STRUCTURAL CONSULTAN
 Er. PANKAJ NANDA (M.E.STRUCTU
 HOUSE NO-23,SECTOR -16
 PANCHKULA.