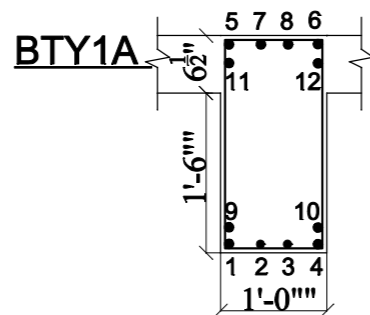
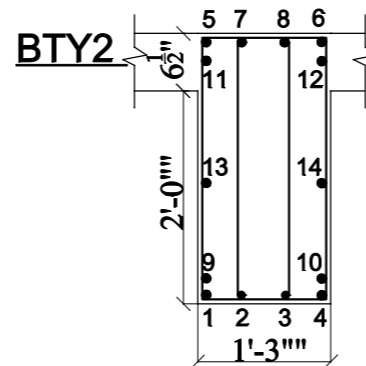


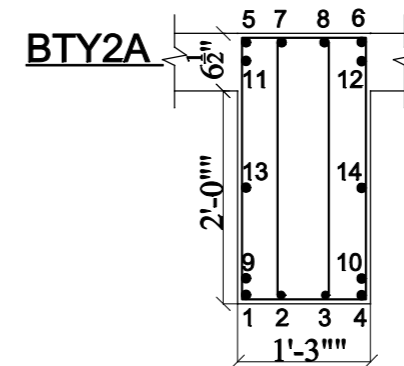
**DETAIL OF BTY1**  
 Bars - 1to4-25 mm Ø('Thr' out)  
 5,6-25mmØ(E.A.M.S.)  
 7,8-25mmØ(E.O.S.)  
 STRPS. - (A)



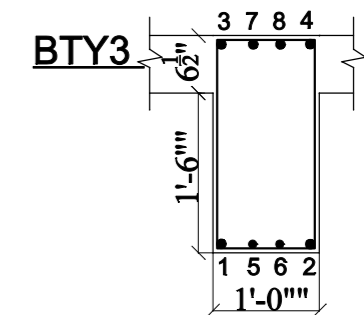
**DETAIL OF BTY1A**  
 Bars - 1to8-25 mm Ø('Thr' out)  
 9,10-20mmØ(E.A.M.S.)  
 11,12-20mmØ(E.O.S.)  
 STRPS.-(B)



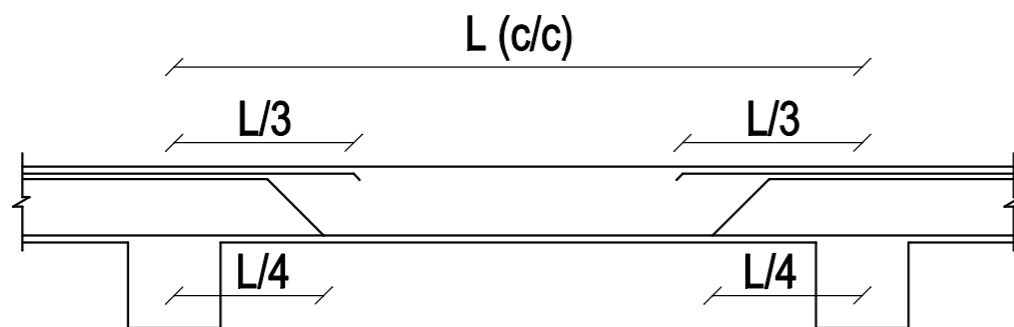
**DETAIL OF BTY2**  
 Bars - 1to8-25 mm Ø('Thr' out)  
 9,10-25mmØ(E.A.M.S.)  
 11,12-25mmØ(E.O.S.)  
 13,14-12mmØ(face steel)  
 STRPS.-(C)



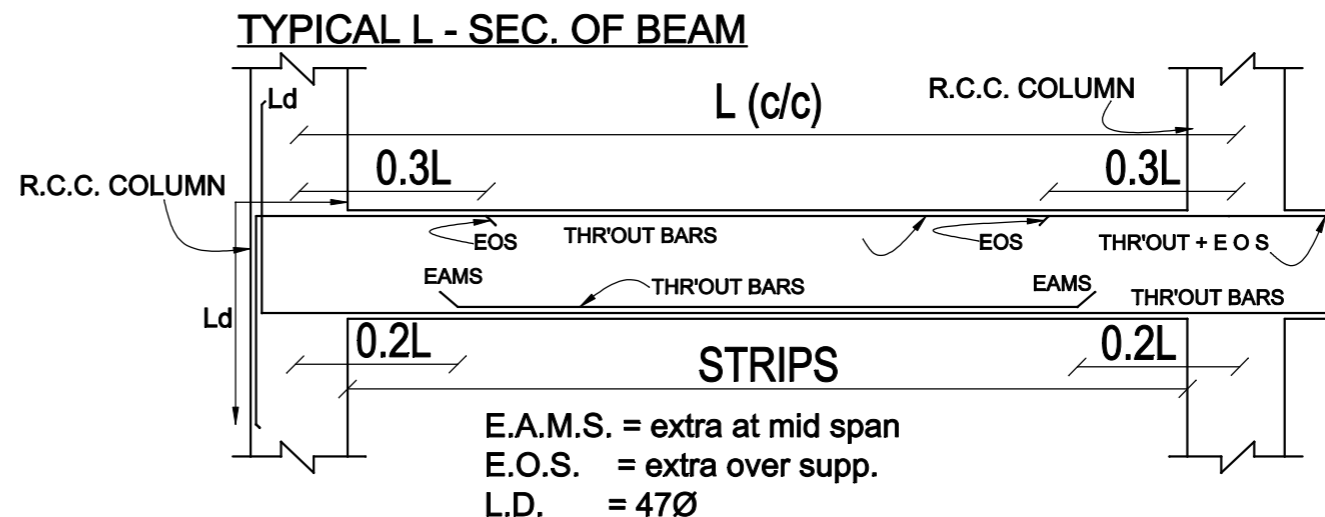
**DETAIL OF BTY2A**  
 Bars - 1to8-25 mm Ø('Thr' out)  
 9,10-32mmØ(E.A.M.S.)  
 11,12-32mmØ(E.O.S.)  
 13,14-12mmØ(face steel)  
 STRPS.-(C)



**DETAIL OF BTY3**  
 Bars - 1to4-20 mm Ø('Thr' out)  
 5,6-16mmØ(E.A.M.S.)  
 7,8-16mmØ(E.O.S.)  
 STRPS. - (A)



**TYPICAL L - SEC. THRU SLAB**



**TYPICAL L - SEC. OF BEAM**

E.A.M.S. = extra at mid span  
 E.O.S. = extra over supp.  
 L.D. = 47Ø

**STIRRUPS:-**

STRPS.-(A) 8mmØ12 Nos. @ 4" c/c from each support+rest @ 6" c/c mid span  
 (B) 10mmØ20 Nos. @ 4" c/c from each support+rest @ 6" c/c mid span  
 (C) 10mmØ 4Legged, 20 Nos. @ 4" c/c from each support+rest @ 6" c/c mid span

**PROJECT:**

**STRUCTURAL PLAN FOR  
 DURGIANA MANDIR COMPLEX  
 AMRITSAR**

CONCEPT  APPROVAL  ADVANCE COPY  GOOD FOR CONSTRUCTION

**GENERAL NOTES**  
 REFER DRAWING NO.-01

TITLE:  
 beam detail

DRG. NO.  
**ST-09**

ENGINEER:  
 Er. PANKAJ NANDA

OWNER:

DATE:-12-July- 2013

DEALT BY: MOHAN DAHIYA

CHECKED BY: PANKAJ NANDA

NOTE : THIS DRAWING IS THE PROPERTY OF Er. PANKAJ NANDA AND MAY NOT BE COPIED OR USED FOR ANY OTHER PURPOSE OTHER THAN FOR WHICH IT IS ISSUED.

**STRUCTURAL CONSULTANT**  
 Er. PANKAJ NANDA (M.E.STRUCTURE)  
 HOUSE NO-23,SECTOR -16  
 PANCHKULA.