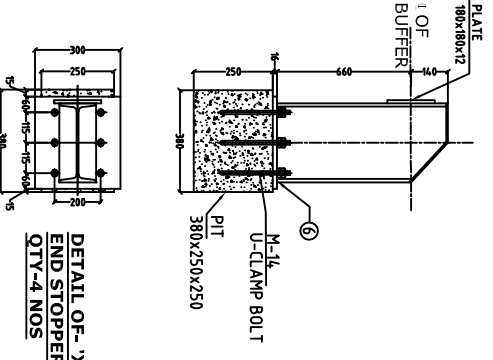


S. NO.	DESCRIPTION	QTY.	ISGEC HEAVY ENGINEERING SCOPE
1.	SOLE PLATE - 200X300X12	285 NOS.	ISGEC HEAVY ENGINEERING SCOPE
2.	M-16 U-BOLT	582 NOS.	ISGEC HEAVY ENGINEERING SCOPE
3.	CUP CLAMPS	570 NOS.	ISGEC HEAVY ENGINEERING SCOPE
4.	L.T. RAIL (60 LB/YD)	167.6 MTR.	ISGEC HEAVY ENGINEERING SCOPE
5.	END STOPPERS	4 NOS.	ISGEC HEAVY ENGINEERING SCOPE
6.	SOLE PLATE - 350X300X16	4 NOS.	ISGEC HEAVY ENGINEERING SCOPE



DETAIL OF -X'
END STOPPER
QTY-4 NOS

DG-GOLIATH	Qty:-1	Client :- M/s ISGEC HEAVY ENGINEERING LTD.	Job Reference No. :-1327
Designed by DEEPAK	Checked by AMIT	Approved by - date R_ARYA-02/01/2015	Filename DFS-1327
DATE		DATE	DATE
02/01/2015		02/01/2015	02/01/2015
Scale NTS		Scale NTS	
Edition 0		Edition 0	
Sheet 1/1		Sheet 1/1	

ENGINEERS PVT. LTD.

GRIP

RAIL FIXING ARRANGEMENT FOR 5.0 TON DG-GOLIATH CRANE

DWG.NO--GEP/L/1327/02

RevNo	Revision note	Date	Signature	Checked