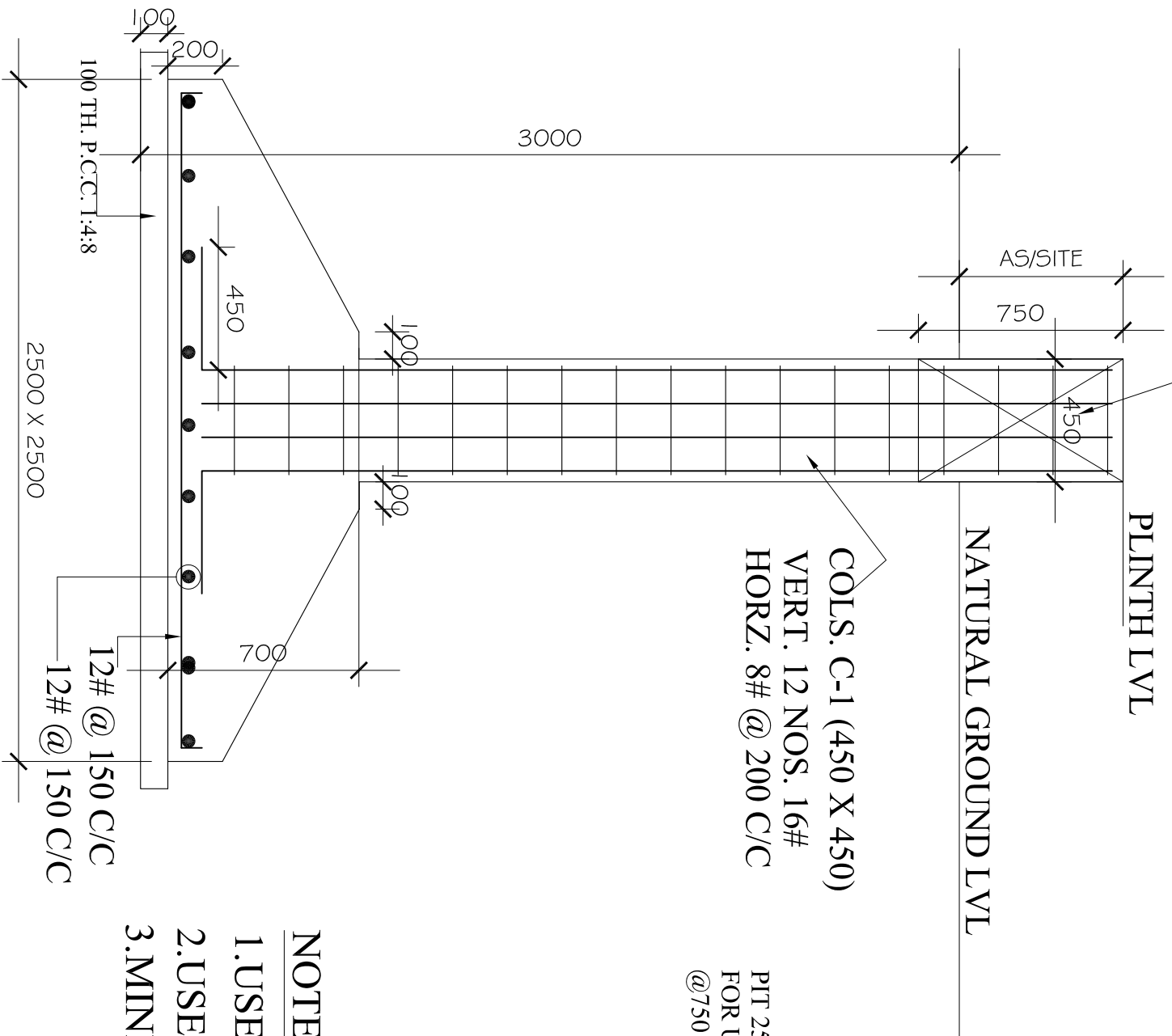
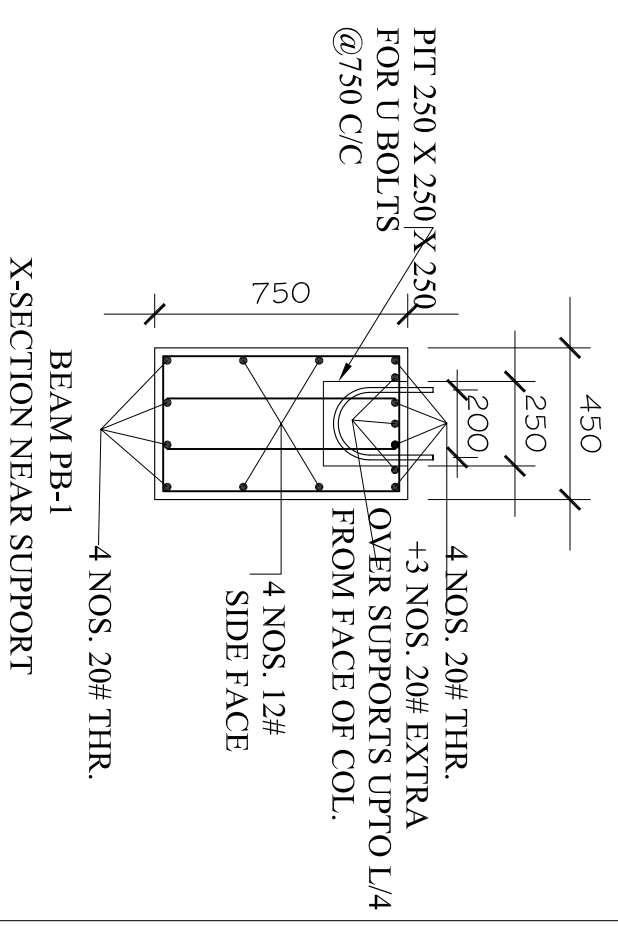
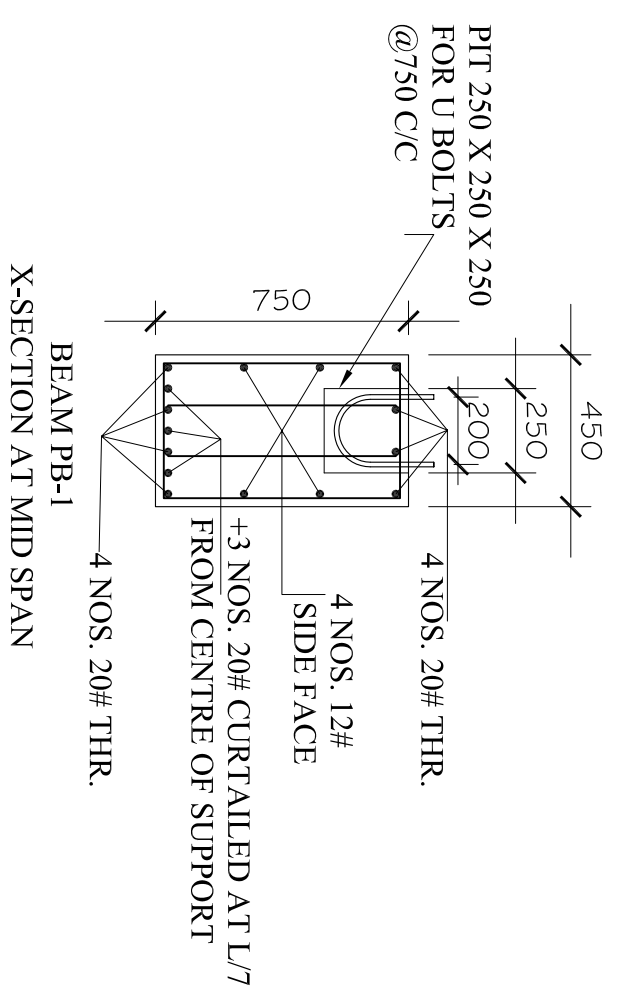
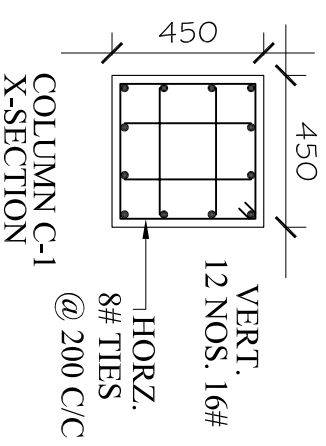


PLINTH LVL BEAM PB-1 450 X 750
WITH PITS 250 X 250 X 250 @ 750 C/C



FOOTING F-1 (2500 X 2500) FOR COLUMNS C-1



NOTE :-

1. USE M-25 CONC.
2. USE TMT STEEL GRADE Fe 500
3. MINIMUM COVER TO STEEL REINF
IN COLUMNS = 40 mm
IN FOOTINGS = 60 mm
IN WALLS = 40 mm
4. LAP LENGTH FOR BARS = 50XDIA OF BAR
5. ALL DIMENSIONS TO BE FOLLOWED AS PER ARCHITECTURAL DRAWINGS.

PROJECT:-	
M/S ISGEC HEAVY ENGG. WORKS AT RATTANGARH UNIT, YAUMNA NAGAR	
DRG TITLE:-	
COLUMNS, BEAMS & FOOTING STR. DTLS. FOR GOLIATH CRANE LINE FOUNDATION	
DRG NO:- STD-03	CHD BY.
DRN BY:- MAHESH	DATE:- 31.01.2015
STRUCTURE CONSULTANTS	
A. S. PAIK & ASSOCIATES 1891/A MAHARAJ NAGAR CIRCUIT HOUSE ROAD, LUDHIANA. PH : 2402859 94170-32859	