

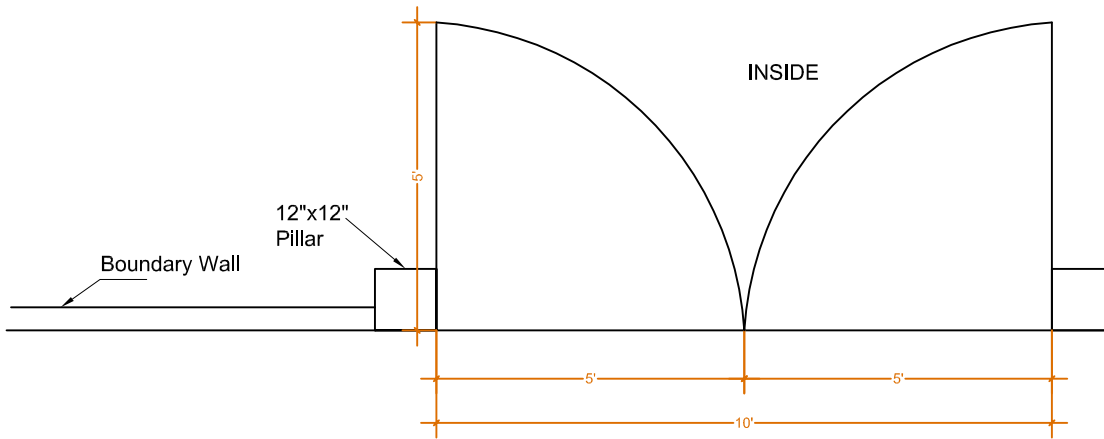
4

3

2

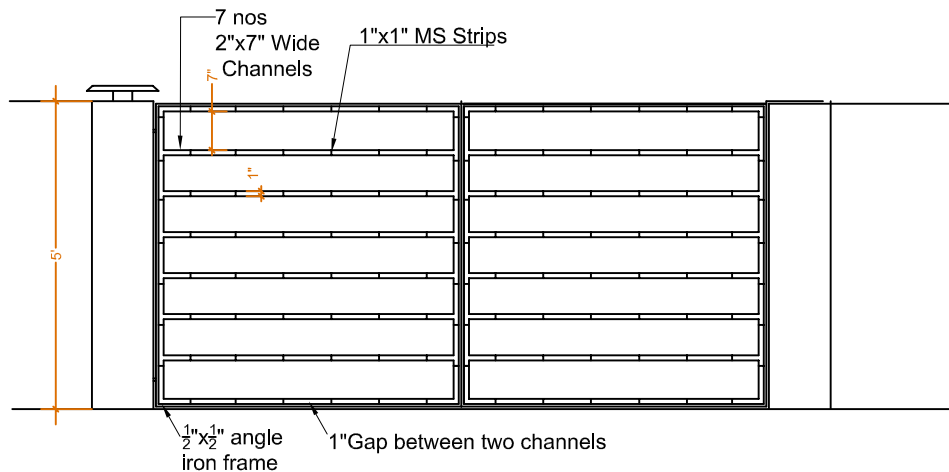
1

D



PLAN

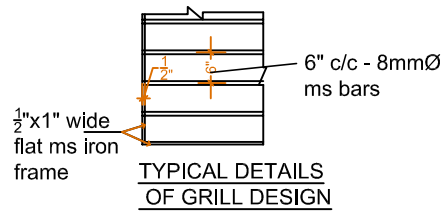
C



ELEVATION

B

GATE DETAILS



TYPICAL DETAILS OF GRILL DESIGN

GATE DETAILS / GRILL DESIGN OF GUEST HOUSE IN BEANT COLLEGE OF ENGG. & TECH. AT GURDASPUR.

DESIGNED FOR:- BEANT COLLEGE OF ENGG & TECH. .

DESIGNED BY:-

Dr. Harvinder Singh Dr. Hardeep Singh Raj Ar. Jaspal Kaur

ENDORSED BY:-

TESTING AND CONSULTANCY CELL GURU NANAK DEV ENGG. COLLEGE, LUDHIANA

SHEET NO.-09

REF. NO:- TCC/894

24-03-15

A