

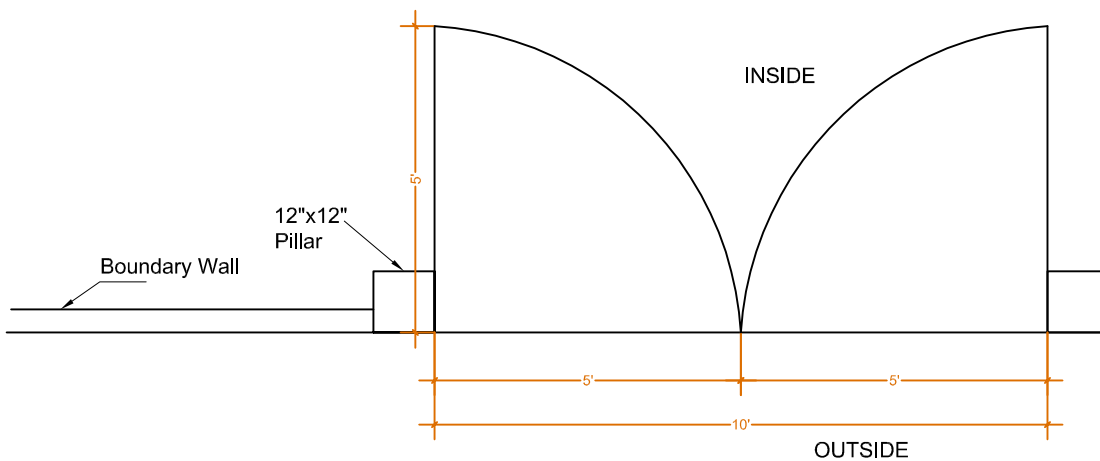
4

3

2

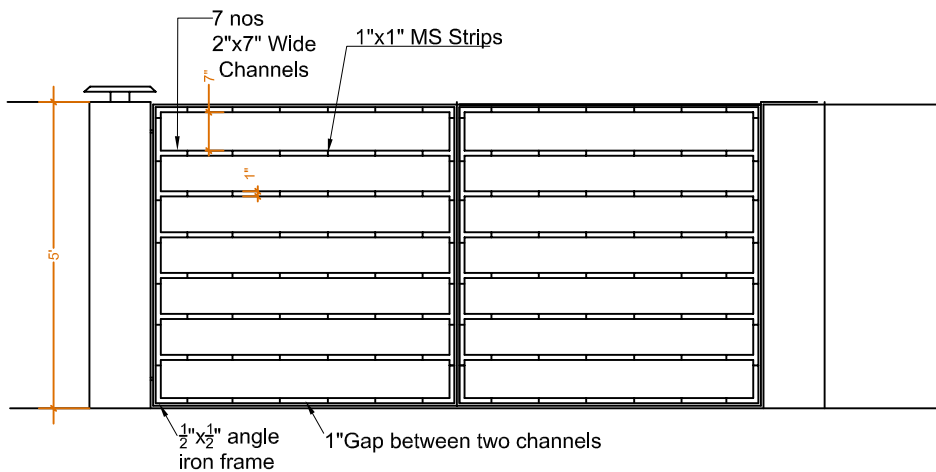
1

D



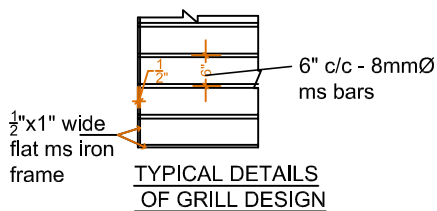
PLAN

C



ELEVATION

GATE DETAILS



TYPICAL DETAILS OF GRILL DESIGN

B

A

GATE DETAILS / GRILL DESIGN OF GUEST HOUSE IN BEANT COLLEGE OF ENGG. & TECH. AT GURDASPUR.

DESIGNED FOR:- BEANT COLLEGE OF ENGG & TECH. .

DESIGNED BY:-

Dr. Harvinder Singh Dr. Hardeep Singh Rai Ar. Jaspal Kaur

ENDORSED BY:-

TESTING AND CONSULTANCY CELL GURU NANAK DEV ENGG. COLLEGE, LUDHIANA

SHEET NO.-11

REF. NO:- TCC/894

24-03-15