

IS : 1121 (Part IV) - 1974

*Indian Standard*

METHODS OF TEST FOR  
DETERMINATION OF STRENGTH PROPERTIES  
OF NATURAL BUILDING STONES

**PART IV SHEAR STRENGTH**

*(First Revision)*

---

Third Reprint SEPTEMBER 1993

UDC 691.21:620.176

© *Copyright* 1975

BUREAU OF INDIAN STANDARDS  
MANAK BHAVAN, 9 BAHADUR SHAH ZAFAR MARG  
NEW DELHI 110002

*Indian Standard*

METHODS OF TEST FOR  
 DETERMINATION OF STRENGTH PROPERTIES  
 OF NATURAL BUILDING STONES  
 PART IV SHEAR STRENGTH  
 (*First Revision*)

Stones Sectional Committee, BDC 6

*Chairman*

SHRI C. B. L. MATHUR

*Representing*

Public Works Department, Government of Rajasthan, Jaipur

*Members*

SHRI K. K. AGRAWALA

Builders' Association of India, Bombay

SHRI K. K. MADHOK (*Alternate*)

SHRI T. N. BHARGAVA

Ministry of Shipping &amp; Transport (Roads Wing)

CHIEF ARCHITECT

Central Public Works Department, New Delhi

LALA G. C. DAS

National Test House, Calcutta

SHRI P. R. DAS (*Alternate*)

DEPUTY DIRECTOR (RESEARCH)

Public Works Department, Government of Uttar Pradesh, Lucknow

DEPUTY DIRECTOR (RESEARCH),  
CONTROL & RESEARCH LABORATORY

Public Works Department, Government of Orissa, Bhubaneswar

DR M. P. DHR

Central Road Research Institute (CSIR), New Delhi

SHRI R. L. NANDA (*Alternate*)

DIRECTOR

Engineering Research Institute, Baroda

DIRECTOR (CSMRS)

Central Water &amp; Power Commission, New Delhi

DEPUTY DIRECTOR (CSMRS) (*Alternate*)

DIRECTOR, MERI

Building &amp; Communication Department, Government of Maharashtra, Bombay

RESEARCH OFFICER, MERI (*Alternate*)

SHRI M. K. GUPTA

Himalayan Tiles &amp; Marble Pvt Ltd, Bombay

SHRI S. D. PATILAK (*Alternate*)

DR IQBAL ALI

Engineering Research Laboratory, Government of Andhra Pradesh, Hyderabad

SHRI A. B. LINGAM (*Alternate*)*(Continued on page 2)*

© Copyright 1975

BUREAU OF INDIAN STANDARDS

This publication is protected under the *Indian Copyright Act (XIV of 1957)* and reproduction in whole or in part by any means except with written permission of the publisher shall be deemed to be an infringement of copyright under the said act.

## IS : 1121 (Part IV) - 1974

(Continued from page 1)

### Members

SHRI D. G. KADKADE  
SHRI V. B. DESAI (*Alternate*)  
SHRI T. R. MEHANDRU  
SHRI PREM SWARUP  
  
SHRI A. K. AGARWAL (*Alternate*)  
DR A. V. R. RAO  
DEPUTY DIRECTOR (MATERIALS)  
(*Alternate*)  
SHRI M. L. SETHI  
  
SHRI Y. N. DAVE (*Alternate*)  
DR B. N. SINHA  
SUPERINTENDING ENGINEER  
(DESIGNS)  
SUPERINTENDING ENGINEER  
(DESIGNS)  
DEPUTY CHIEF ENGINEER (I & D)  
(*Alternate*)  
SUPERINTENDING ENGINEER  
(DESIGN & PLANNING)  
SUPERINTENDING ENGINEER  
(PLANNING CIRCLE)  
SUPERINTENDING SURVEYOR OF  
WORKS  
SHRI M. V. YOGI  
SHRI J. K. CHARAN (*Alternate*)  
SHRI D. AJITHA SIMHA,  
Director (Civ Engg)

### Representing

Hindustan Construction Co Ltd, Bombay  
Institution of Engineers (India), Calcutta  
Department of Geology & Mining, Government  
of Uttar Pradesh, Lucknow  
  
National Buildings Organization, New Delhi  
  
Department of Geology & Mining, Government of  
Rajasthan, Udaipur  
  
Geological Survey of India, Calcutta  
Public Works Department, Government of Mysore,  
Bangalore  
Public Works Department, Government of Tamil  
Nadu, Madras  
  
Public Works Department, Government of Andhra  
Pradesh, Hyderabad  
Public Works Department, Government of West  
Bengal, Calcutta  
Public Works Department, Government of Hima-  
chal Pradesh, Simla  
Engineer-in-Chief's Branch (Ministry of Defence)  
Director General, ISI (*Ex-officio Member*)

### Secretary

SHRI K. M. MATHUR  
Deputy Director (Civ Engg), ISI

# *Indian Standard*

## METHODS OF TEST FOR DETERMINATION OF STRENGTH PROPERTIES OF NATURAL BUILDING STONES

### PART IV SHEAR STRENGTH

### *(First Revision)*

#### 0. FOREWORD

**0.1** This Indian Standard (Part IV) (First Revision) was adopted by the Indian Standards Institution on 1 October 1974, after the draft finalized by the Stones Sectional Committee had been approved by the Civil Engineering Division Council.

**0.2** Building stones are available in large quantity in various parts of the country and to choose and utilize them for their satisfactory performance it is necessary to know the various strength properties determined according to standard procedure. This standard has, therefore, been formulated to cover the standard method for determining the strength properties of various stones. This standard covering compressive, transverse and shear strength properties was published in 1957 and is being revised based on the actual use of it in the past 17 years and the experience gained in testing for these properties in the various research laboratories of this country. In this revision, property of tensile strength has also been added which is also important for assessing the suitability of stone.

**0.2.1** This standard is now being issued in four parts, each part covering a specific property. Part IV covers the determination of shear strength of natural building stones.

**0.3** In reporting the results of a test or analysis made in accordance with this standard, if the final value, observed or calculated, is to be rounded off, it shall be done in accordance with IS : 2-1960\*.

---

#### 1. SCOPE

**1.1** This standard (Part IV) lays down the procedure for determination of shear strength of natural building stones used for constructional purposes.

\*Rules for rounding off numerical values (*revised*).

## **2. SELECTION OF SAMPLE**

**2.1** The sample shall be selected to represent a true average of the type or grade of stone under consideration.

**2.2** The sample shall be selected from the quarried stone or taken from the natural rock, as described in **2.2.1** and **2.2.2** and shall be of adequate size to permit the preparation of the requisite number of test pieces.

**2.2.1** *Stones from Ledges or Quarries* — The ledge or quarry face of the stone shall be inspected to determine any variation in different strata. Differences in colour, texture and structure shall be observed. Separate samples of stone weighing at least 25 kg each of the unweathered specimens shall be obtained from all strata that appear to vary in colour, texture and structure. Pieces that have been damaged by blasting, driving wedges, heating, etc, shall not be included in the sample.

**2.2.2** *Field Stone and Boulders* — A detailed inspection of the stone and boulders over the area shall be made where the supply is to be obtained. The different kinds of stones and their conditions at various quarry sites shall be recorded. Separate samples for each class of stone that would be considered for use in construction as indicated by visual inspection shall be selected.

**2.3** When perceptible variations occur in the quality of rock, as many samples as are necessary for determining the range in properties shall be selected.

## **3. TEST PIECES AND CONDITIONING**

**3.1** Saws shall be used for making test pieces from samples selected in accordance with **2**. Use of hand tools, such as chisel for cutting shall not be permitted.

**3.2** The load-bearing surfaces shall be finished to as nearly true and parallel planes as possible by using rock cuttings saws, grinding, polishing wheels, abrasive powder. The test pieces shall be measured to the nearest 0.2 mm at the centre section.

**3.3** The load-bearing surfaces and the direction of the rift shall be carefully marked on each test piece after finishing.

**3.4** Test piece for use in the Johnson shear tool shall be bars 50×50 mm in section and not less than 180 mm in length.

**3.5** Test piece for use with the Dutton punching shear device shall be slabs 30 mm in thickness, 100 mm in width and not less than 100 mm in length.

**3.6** Three test pieces shall be used for conducting the test in each of the

conditions mentioned in 3.6.1 and 3.6.2. In each of these conditions, separate tests shall be made for the specimen when load is parallel to the rift and perpendicular to the rift.

**3.6.1** Test pieces to be tested in the dry condition shall be dried in an oven at  $105 \pm 5^\circ\text{C}$  for 24 h and cooled in desiccator to room temperature (20 to  $30^\circ\text{C}$ ).

**3.6.2** The test piece shall be immersed in water maintained at room temperature (20 to  $30^\circ\text{C}$ ) for 72 h before testing and shall be tested in saturated condition.

#### 4. APPARATUS

**4.1** The apparatus shall be either the modified Johnson shear tool (*see* Fig. 1) or the Dutton punching shear device (*see* Fig. 2A and 2B) in conjunction with any standard testing machine of sufficient capacity.

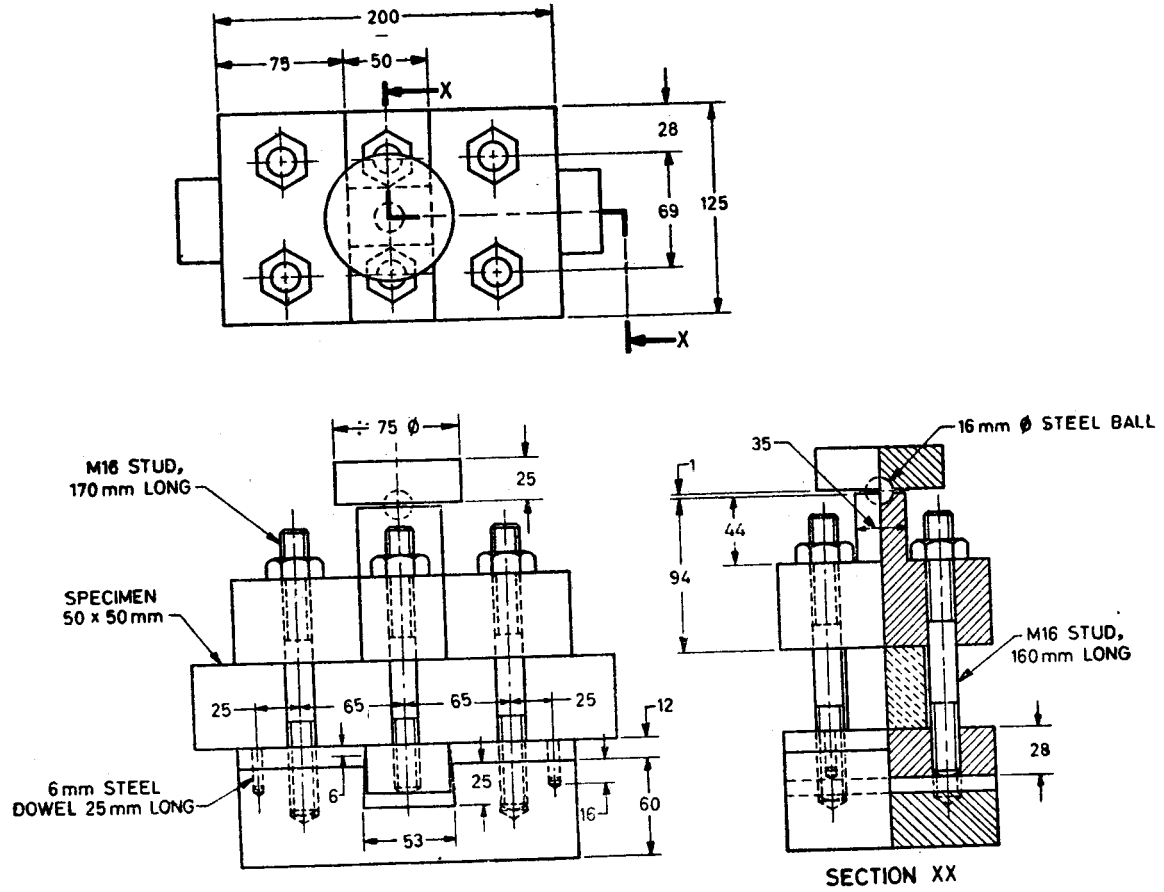
**4.2** When the Dutton punching shear device is used, a spherical bearing block of sufficient size to cover the upper end of the plunger of the punching shear device shall be used.

#### 5. PROCEDURE

**5.1 Using Johnson Shear Tool** — The test piece shall be carefully centred in the shear tool as shown in Fig. 1 and the bolts drawn up tightly. The tool shall then be centred in the testing machine with the centre of the spherical block in contact with the centre of the top portion of the plunger of the shear tool. Accurate adjustments shall be made by hand under a small initial load. The speed of the moving head of the testing machine during the application of the load shall be not more than one millimetre per minute. During the test, the beam of the testing machine shall be kept constantly in a floating position.

**5.2 Using Dutton Punching Shear Device** — Centre lines shall be laid off on one surface of the slab and the thickness of the slab shall be measured to the nearest 0.2 mm at not less than three points approximately equidistant around the circumference of a 50 mm circle centred on the intersection of the two centre lines. The test piece shall be carefully centred between the upper and lower plates of the punching device so that the measured section of the test piece is under the plunger. The upper plate shall be carefully lowered to contact the test piece. The punching device shall then be centred in the testing machine with the centre of the spherical bearing block in contact with the centre of the top portion of the plunger of the shear device. Accurate adjustment shall be made by hand under a small initial load. The speed of the moving head of the testing machine during the application of the load shall be not more than 1 millimetre per minute. During the test, the beam of the testing machine shall be kept constantly in a floating position.

6



All dimensions in millimetres.

FIG. 1 DETAILS OF MODIFIED JOHNSON SHEAR TOOL

## 6. EVALUATION AND REPORT OF TEST RESULTS

**6.1 Using Johnson Shear Tool** — The shear strength of the test piece shall be calculated as follows:

$$S = \frac{W}{2A}$$

where

$S$  = shear strength in kg/cm<sup>2</sup>,

$W$  = total maximum load in kg indicated by the testing machine, and

$A$  = area in cm<sup>2</sup> of the centre cross-section of the test piece.

**6.2 Using Dutton Punching Shear Device** — The shear strength of the test piece tested shall be calculated as follows:

$$S = \frac{W_t - W_i}{\pi DT}$$

where

$S$  = shear strength in kg/cm<sup>2</sup>,

$W_t$  = total maximum load in kg indicated by the testing machine,

$W_i$  = initial load in kg required to bring the plunger in contact with the surface of the specimen,

$D$  = diameter in cm of the plunger, and

$T$  = thickness in cm of the specimen.

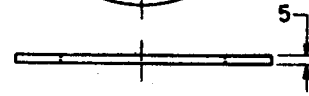
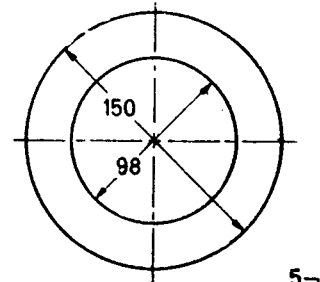
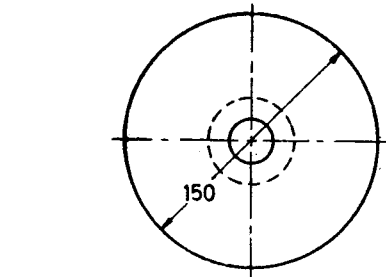
**6.3** The average of all the three results separately for each condition (see 3.6) shall be calculated and taken as the shear strength of the test piece and shall be expressed in kg/cm<sup>2</sup>.

**6.4** Identification of the sample, date when sample was taken and type of stone shall be reported.

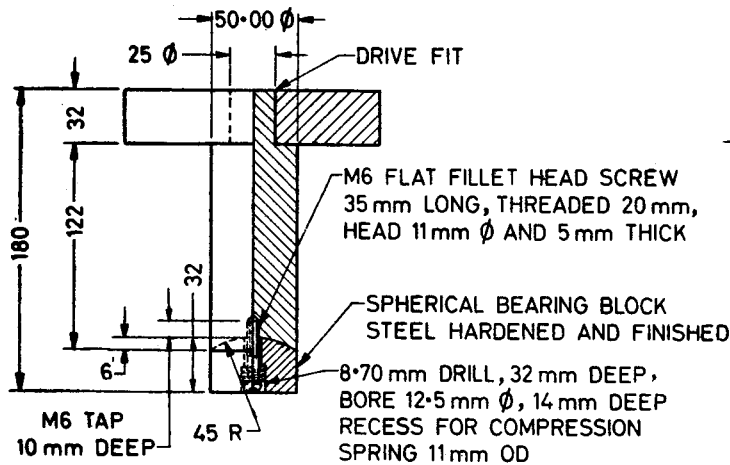
**6.5** The size and shape of test piece used in the tests shall be indicated.

**6.6** The type of shear appliance used shall also be indicated.

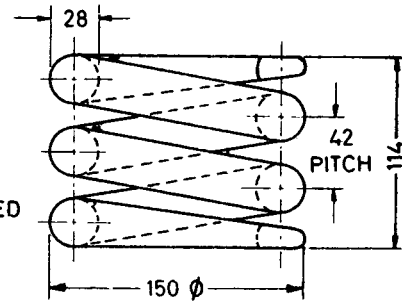




STEEL WASHER

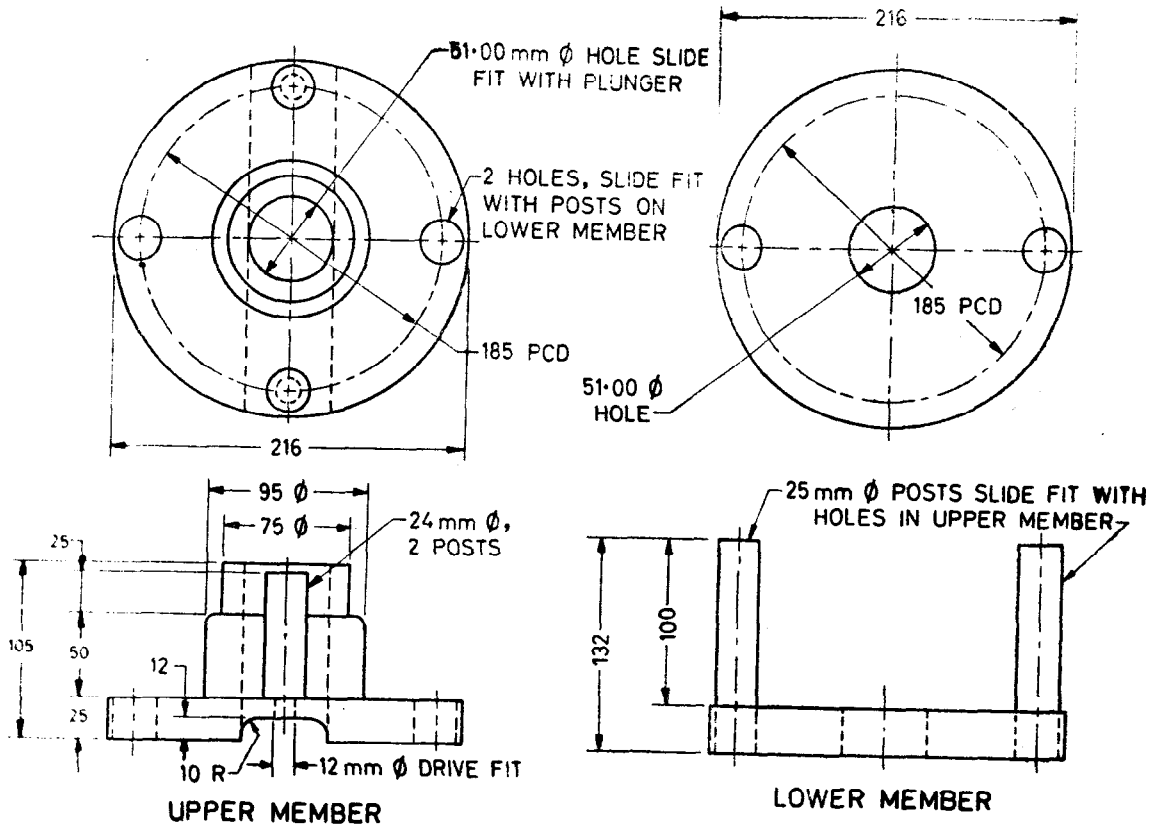


STEEL PLUNGER



HELICAL SPRING OF  
SPRING STEEL, 2 FREE  
COILS

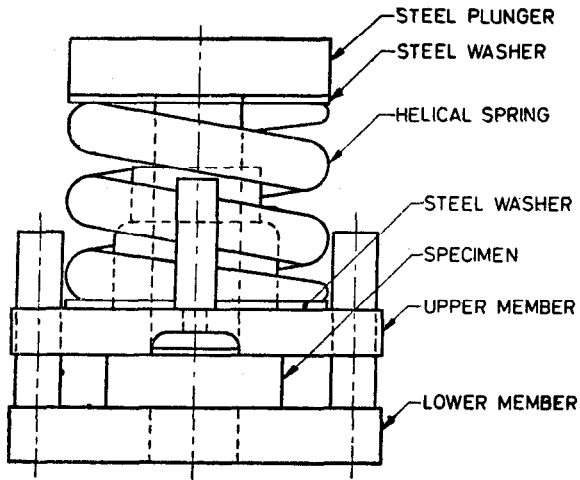
6



All dimensions in millimetres.

2A Details of Parts

FIG. 2 DETAILS OF DUTTON PUNCHING SHEAR DEVICE — *Contd*



2B Assembled View

FIG. 2 DETAILS OF DUTTON PUNCHING SHEAR DEVICE

# BUREAU OF INDIAN STANDARDS

## Headquarters :

Manak Bhavan, 9 Bahadur Shah Zafar Marg, NEW DELHI 110002

Telephones : 331 01 31

331 13 75

Telegrams : Manaksanstha

(Common to all Offices)

## Regional Offices :

## Telephone

|           |  |                          |
|-----------|--|--------------------------|
| Central   | : Manak Bhavan, 9, Bahadur Shah Zafar Marg,<br>NEW DELHI 110002        | { 331 01 31<br>331 13 75 |
| * Eastern | : 1/14 C.I.T. Scheme VII M,<br>V.J.P. Road, Maniktola, CALCUTTA 700054 | { 331 13 75<br>37 86 62  |
| Northern  | : SCO 445-446, Sector 35-C, CHANDIGARH 160036                          | 2 18 43                  |
| Southern  | : C.I.T. Campus, IV Cross Road, MADRAS 600113                          | 41 29 16                 |
| † Western | : Manakalaya, E9 MIDC, Marol, Andheri (East),<br>BOMBAY 400093         | 6 32 92 95               |

## Branch Offices :

|  |            |
|--|------------|
| 'Pushpak', Nurmohamed Shaikh Marg, Khanpur, AHMADABAD 380001                                 | 2 63 48    |
| ‡ Peeraya Industrial Area, 1st Stage, Bangalore-Tumkur Road,<br>BANGALORE 560058             | 39 49 55   |
| Gangotri Complex, 5th Floor, Bhadbhada Road, T.T. Nagar,<br>BHOPAL 462003                    | 55 40 21   |
| Plot No. 82/83, Lewis Road, BHUBANESHWAR 751002  | 5 36 27    |
| Kalai Kathir Building, 6/48-A Avanasi Road, COIMBATORE 641037                                | 2 67 05    |
| Quality Marking Centre, N.H. IV, N.I.T., FARIDABAD 121001                                    | —          |
| Savitri Complex, 116 G. T. Road, GHAZIABAD 201001  | 8-71 19 96 |
| 53/5 Ward No. 29, R.G. Barua Road, 5th By-lane,<br>GUWAHATI 781003                           | 3 31 77    |
| 5-8-56C L. N. Gupta Marg, (Nampally Station Road )<br>HYDERABAD 500001                       | 23 10 83   |
| R14 Yudhister Marg, C Scheme, JAIPUR 302005  | 6 34 71    |
| 117/418 B Sarvodaya Nagar, KANPUR 208005   | 21 68 76   |
| Plot No. A-9, House No. 561/63, Sindhu Nagar, Kanpur Road,<br>LUCKNOW 226005                 | 5 55 07    |
| Patliputra Industrial Estate, PATNA 800013   | 6 23 05    |
| District Industries Centre Complex, Bagh-e-Ali Maidan,<br>SRINAGAR 190011                    | —          |
| T. C. No. 14/1421, University P. O., Palayam,<br>THIRUVANANTHAPURAM 695034                   | 6 21 04    |
| <i>Inspection Offices (With Sale Point) :</i>  |            |
| Pushpanjali, First Floor, 205-A West High Court Road,<br>Shankar Nagar Square, NAGPUR 440010 | 52 51 71   |
| Institution of Engineers (India) Building, 1332 Shivaji Nagar,<br>PUNE 411005                | 5 24 35    |
| *Sales Office Calcutta is at 5 Chowringhee Approach,<br>P. O. Princep Street, CALCUTTA       | 27 68 00   |
| † Sales Office is at Novelty Chambers, Grant Road, BOMBAY                                    | 89 65 28   |
| ‡ Sales Office is at Unity Building, Narasimharaja Square,<br>BANGALORE                      | 22 39 71   |