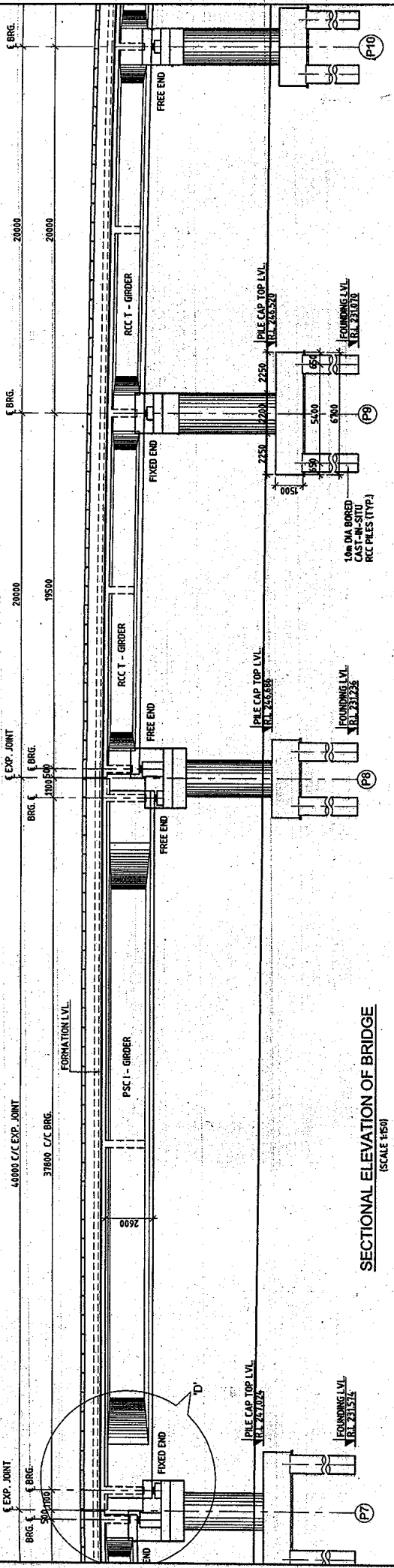
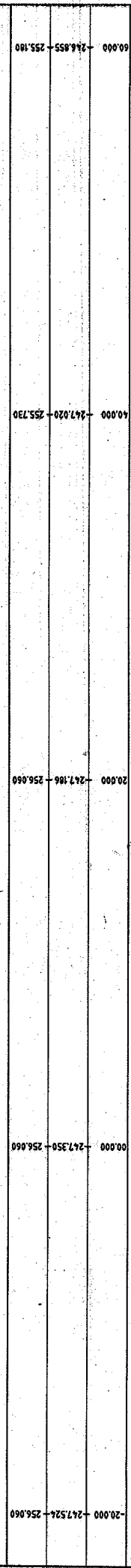


DORAHA ←

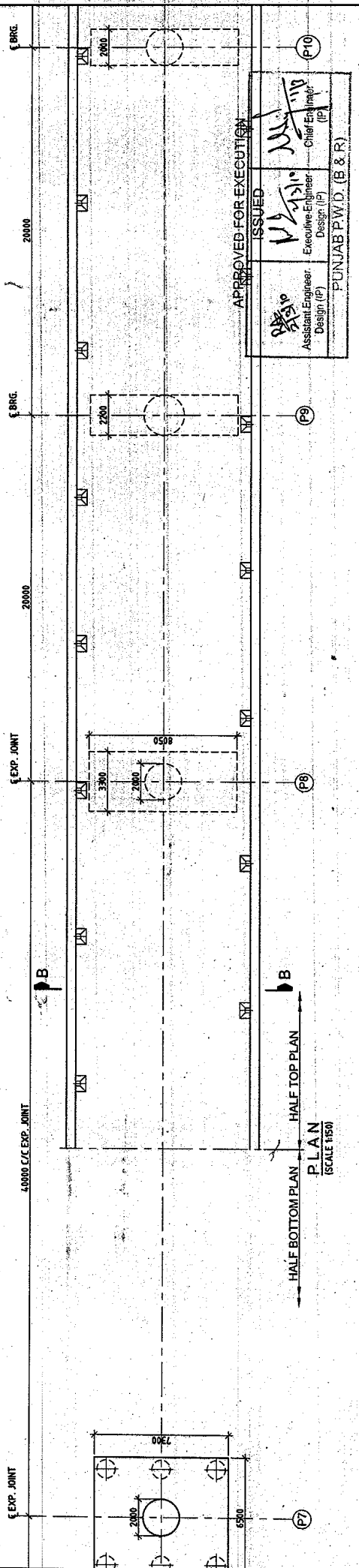
LUDHIANA →



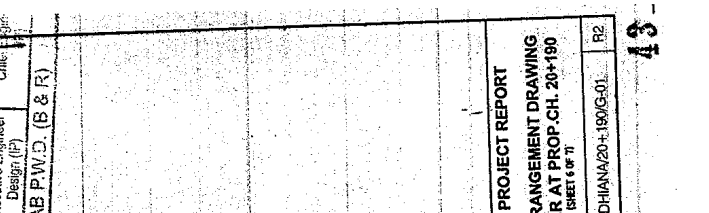
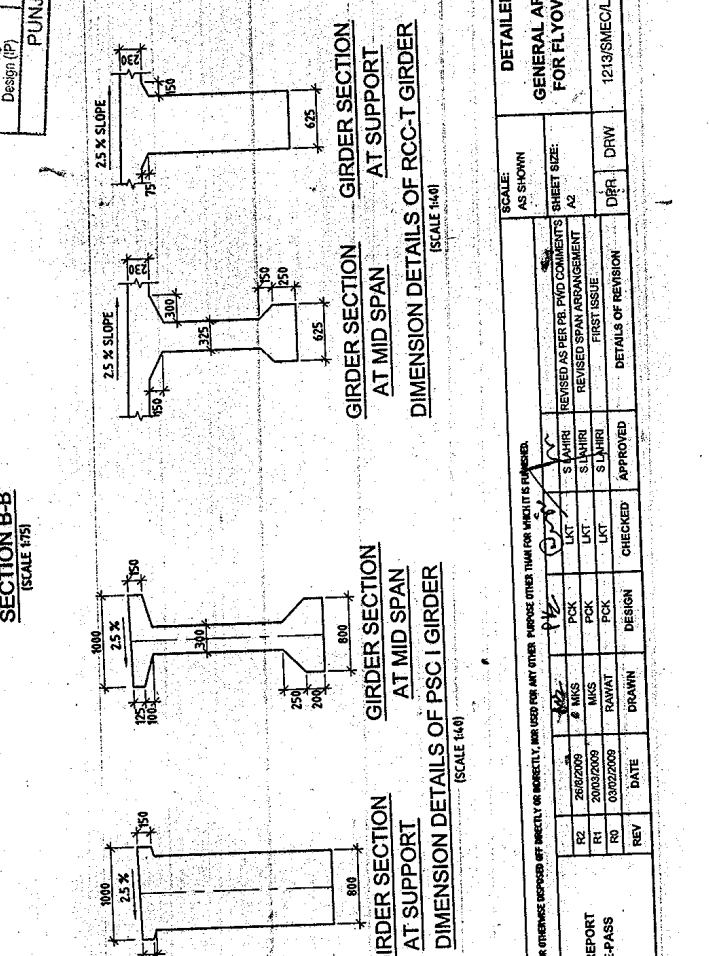
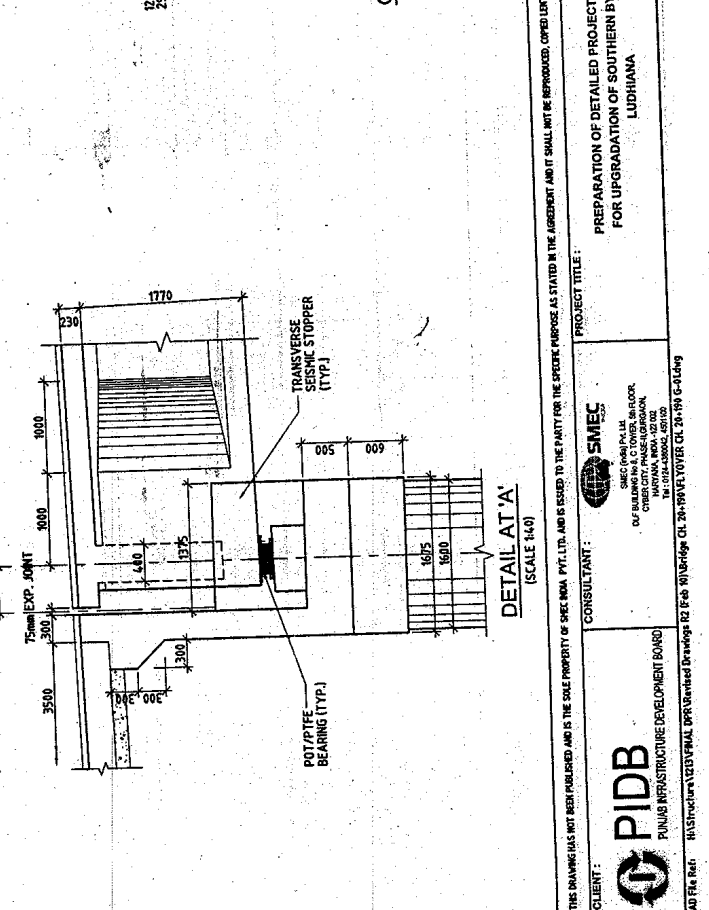
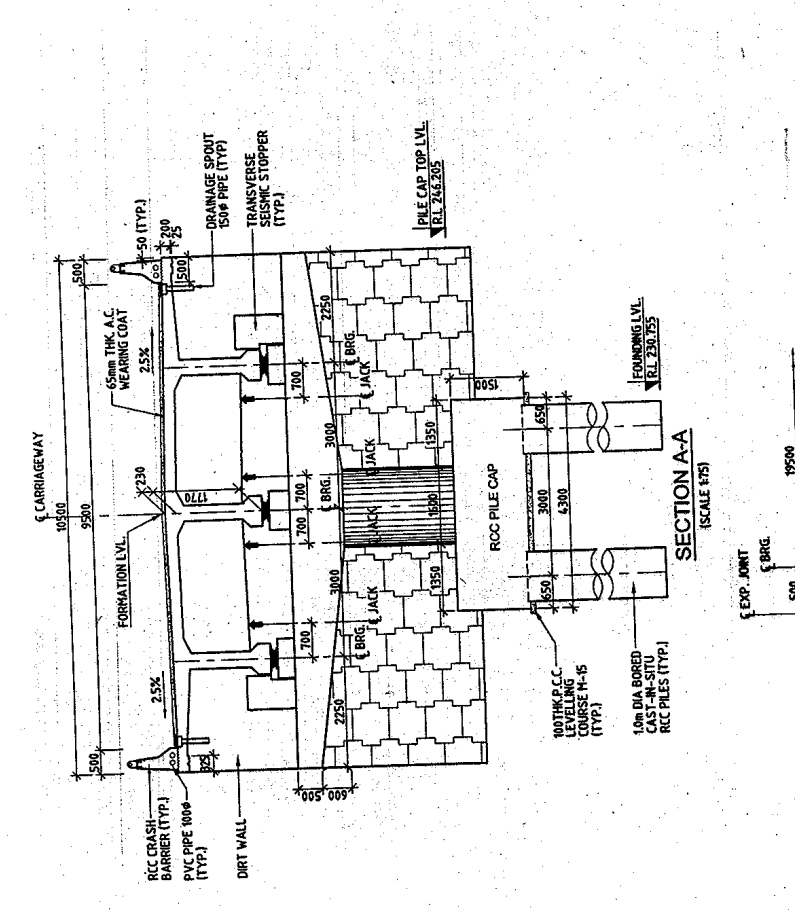
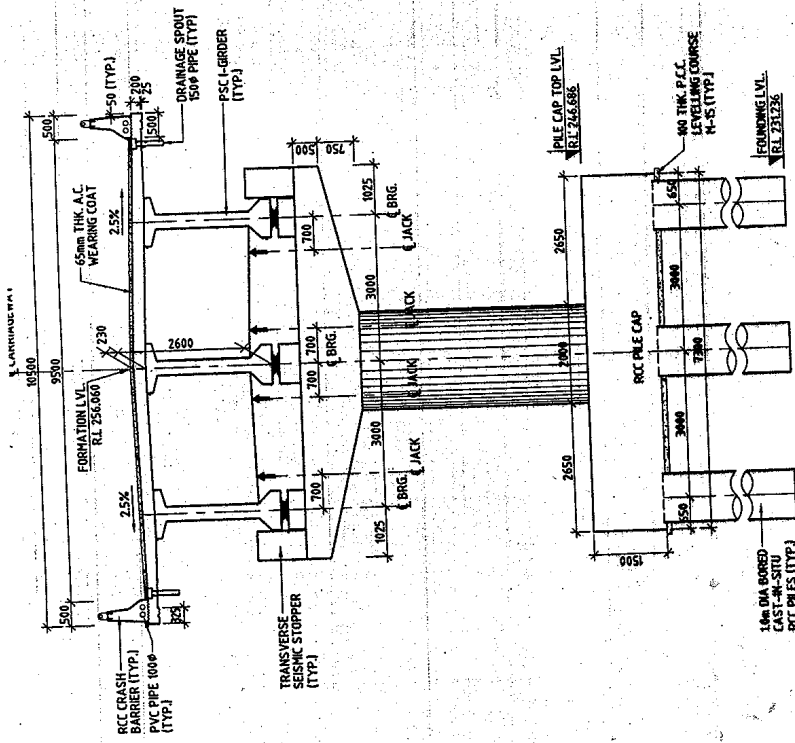
SECTIONAL ELEVATION OF BRIDGE
(SCALE 1:50)



HALF BOTTOM PLAN
PLAN
SCALE 1:50



<p>CLIENT: PIDB PUNJAB INFRASTRUCTURE DEVELOPMENT BOARD RAJINDER NAGAR, PHASE-III, GURGAON, GURGAON, HARYANA, INDIA</p>		<p>CONSULTANT: SMIEC STRUCTURAL ENGINEERS 101, BALWAL NAGAR, 1ST FLOOR, CHANDIGARH, INDIA</p>		<p>PROJECT TITLE: PREPARATION OF DETAILED PROJECT REPORT FOR UPGRADATION OF SOUTHERN BYEPASS LUDHIANA</p>		<p>SCALE: AS SHOWN</p>		<p>GENERAL ARRANGEMENT DRAWING FOR FLYOVER AT PROP. CH. 20+190 (SHEET 3 OF 7)</p>		<p>DATE: 12/13/2019 DRAWN: DRW CHECKED: DRW APPROVED: DRW</p>		<p>DETAILS OF REVISION</p>		<p>REVISIONS</p>	
REV	DATE	DESIGN	CHECKED	APPROVED	REASON	REVISED AS PER P&E COMMENTS	REVISIONS	DATE	DESIGN	CHECKED	APPROVED	REASON	REVISED AS PER P&E COMMENTS	REVISIONS	
R1	20/03/2019	M/S S/WARI	LIST	LIST	LIST	REVISED SPAN ARRANGEMENT									
R2	26/02/2019	M/S S/WARI	PCK	PCK	PCK	REVISED SPAN ARRANGEMENT									
R0	03/02/2019	RAVAT	PCK	PCK	PCK	FIRST ISSUE									



APPROVED FOR EXECUTION
ISSUED
 Assistant Engineer Design (F)
 Executive Engineer Design (F)
 Chief Engineer
 PUNJAB P.W.D. (B & R)

REVISION		APPROVED	CHECKED	DESIGN	DATE	REVISION	DETAILS OF REVISION
R2	26/02/2009	PCK	LKT	S LAHRI		REVISED AS PER RL PWD COMMENTS	FIRST ISSUE
R1	20/03/2009	PCK	LKT	S LAHRI		REVISED SPAN ARRANGEMENT	
R0	03/02/2009	PCK	LKT	S LAHRI			

SCALE: AS SHOWN	SHEET SIZE: A2	DRW	R2
GENERAL ARRANGEMENT DRAWING FOR FLYOVER AT PROP. CH. 20+190 (SHEET 4 OF 11)		SCALE: 1:40	PROJECT TITLE: PREPARATION OF DETAILED PROJECT REPORT FOR UPGRADATION OF SOUTHERN BYPASS LUDHIANA
CONSULTANT: SMEC		CLIENT: PUNJAB INFRASTRUCTURE DEVELOPMENT BOARD	

THE DRAWING HAS NOT BEEN PUBLISHED AND IS THE SOLE PROPERTY OF SMC INDIA PVT. LTD. AND IS ISSUED TO THE PARTY FOR THE SPECIFIC PURPOSE AS STATED IN THE AGREEMENT AND IT SHALL NOT BE REPRODUCED, COPIED, LENT OR OTHERWISE DISPOSED OF IN ANY MANNER WITHOUT THE WRITTEN PERMISSION OF SMC INDIA PVT. LTD.

PREPARED BY: S. LAHRI
 CHECKED BY: S. LAHRI
 DESIGNED BY: S. LAHRI
 DATE: 03/02/2009

PROJECT TITLE: PREPARATION OF DETAILED PROJECT REPORT FOR UPGRADATION OF SOUTHERN BYPASS LUDHIANA

CONSULTANT: SMEC
 SMC INDIA PVT. LTD.
 101, PHASE-1, 1ST FLOOR, ANAND VIHAR, GATE NO. 14, INDUSTRIAL AREA, OKHA, SURAT, GUJARAT - 395 007, INDIA

CLIENT: PUNJAB INFRASTRUCTURE DEVELOPMENT BOARD
 PUNJAB INFRASTRUCTURE DEVELOPMENT BOARD
 1219, SMC/OLUDHIANA/20+190/G-01